

Technical data sheet

Head plate with welded CPS 5 rail FT

Item number: 6347026



Head plate with a welded-on MS5030 profile rail for mounting to an IS 8 support.

The fastening to the T support is done using the appropriate chuck jaws. The rail route is in the longitudinal direction.



Including appropriate fastening material.



St Steel

FT Hot-dip galvanised

Master data

| | |
|---------------------|--------------------|
| Item number | 6347026 |
| Type | KI8 CPS5-1-300FT |
| Description 1 | Head plate |
| Description 2 | for IS 8 support |
| Manufacturer | OBO |
| Dimension | 300mm |
| Material | Steel |
| Surface | Hot-dip galvanised |
| Surface standard | DIN EN ISO 1461 |
| Smallest sales unit | 1 |
| Unit of quantity | Piece |
| Weight | 166 kg |
| Weight unit | kg/100 pc. |

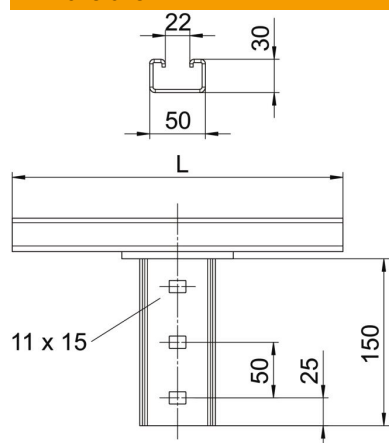
Technical data sheet

Head plate with welded CPS 5 rail FT

Item number: 6347026



Dimensions



| | |
|--------|--------|
| Length | 300 mm |
| Width | 50 mm |
| Height | 180 mm |

Technical data

| Version for | Miscellaneous |
|--------------------------------|---------------|
| Maintain electrical functions | no |
| Suitable for ceiling fastening | yes |
| Suitable for panel fastening | no |
| Suitable for profile shapes | I profile |
| Rustproof steel, pickled | no |
| Angle range, max. | 90 mm |
| Angle range, min. | 90 mm |