

# Technical data sheet

## Head plate with welded CPS 5 rail FT

Item number: 6347028



Head plate with a welded-on MS5030 profile rail for mounting to an IS 8 support.

The fastening to the T support is done using the appropriate chuck jaws. The rail route is in the longitudinal direction.



Including appropriate fastening material.



**St** Steel

**FT** Hot-dip galvanised

### Master data

|                     |                    |
|---------------------|--------------------|
| Item number         | 6347028            |
| Type                | KI8 CPS5-1-500FT   |
| Description 1       | Head plate         |
| Description 2       | for IS 8 support   |
| Manufacturer        | OBO                |
| Dimension           | 500mm              |
| Material            | Steel              |
| Surface             | Hot-dip galvanised |
| Surface standard    | DIN EN ISO 1461    |
| Smallest sales unit | 1                  |
| Unit of quantity    | Piece              |
| Weight              | 224 kg             |
| Weight unit         | kg/100 pc.         |

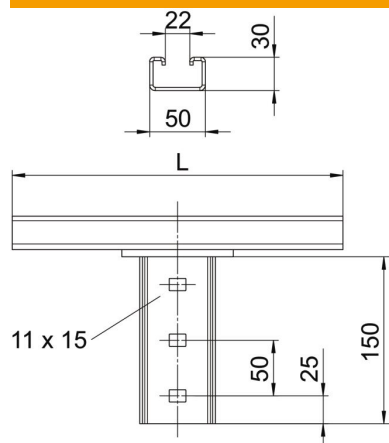
# Technical data sheet

## Head plate with welded CPS 5 rail FT

Item number: 6347028



### Dimensions



|        |        |
|--------|--------|
| Length | 500 mm |
| Width  | 50 mm  |
| Height | 180 mm |

### Technical data

| Version for                    | Miscellaneous |
|--------------------------------|---------------|
| Maintain electrical functions  | no            |
| Suitable for ceiling fastening | yes           |
| Suitable for panel fastening   | no            |
| Suitable for profile shapes    | I profile     |
| Rustproof steel, pickled       | no            |
| Angle range, max.              | 90 mm         |
| Angle range, min.              | 90 mm         |