

Technical data sheet

Head plate with 2 welded-on CPS 5 rails FT

Item number: 6347032



Head plate with two welded-on MS5030 profile rails for the mounting to the IS 8 support.

The fastening to the T support is done using the appropriate chuck jaws. The rail route is in the longitudinal direction.

Including appropriate fastening material.



St Steel

FT Hot-dip galvanised

Master data

Item number	6347032
Type	KI8 CPS5-2-400FT
Description 1	Head plate
Description 2	for IS 8 support
Manufacturer	OBO
Dimension	400mm
Material	Steel
Surface	Hot-dip galvanised
Surface standard	DIN EN ISO 1461
Smallest sales unit	1
Unit of quantity	Piece
Weight	345.3 kg
Weight unit	kg/100 pc.

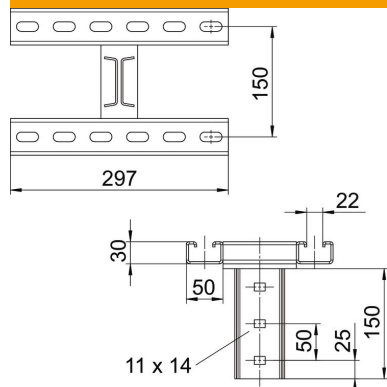
Technical data sheet

Head plate with 2 welded-on CPS 5 rails FT

Item number: 6347032



Dimensions



Length	400 mm
Width	200 mm
Height	180 mm

Technical data

Version for	Miscellaneous
Maintain electrical functions	no
Suitable for ceiling fastening	yes
Suitable for panel fastening	no
Suitable for profile shapes	I profile
Rustproof steel, pickled	no
Angle range, max.	90 mm
Angle range, min.	90 mm