

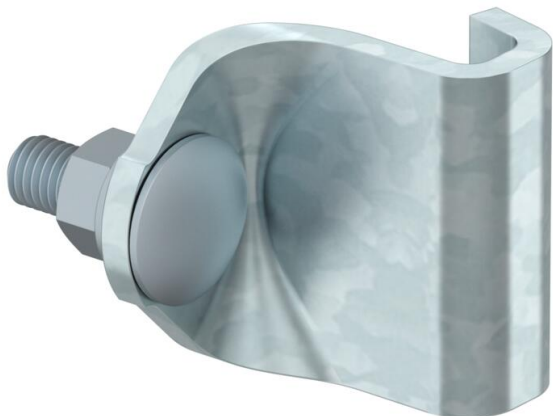
Technical data sheet

Clamping lug for AS15 / AS 30

Item number: 6419015



Individual clamping strap for the fastening of the AS 15 brackets in the width 110–160 mm and AS 30 in the width 110 mm on the IS 8 suspended support.



CE

St Steel

FT Hot-dip galvanised

Master data

Item number	6419015
Type	KLAS 15 30 FT
Description 1	Clamping lug
Description 2	single, for AS 15 and AS 30
Manufacturer	OBO
Dimension	37x42
Material	Steel
Surface	Hot-dip galvanised
Surface standard	DIN EN ISO 1461
Smallest sales unit	25
Unit of quantity	Piece
Weight	7.9 kg
Weight unit	kg/100 pc.

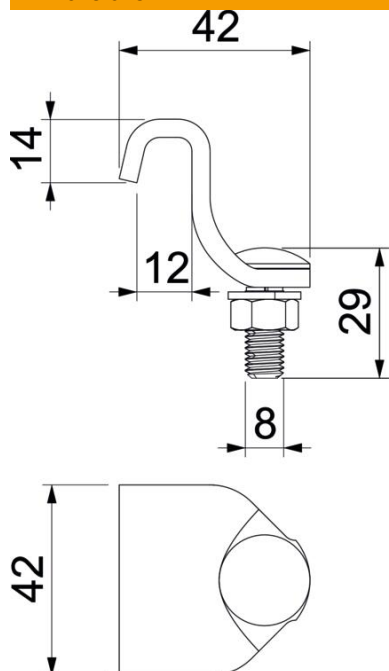
Technical data sheet

Clamping lug for AS15 / AS 30

Item number: 6419015



Dimensions



Length	42 mm
Width	42 mm
Height	33 mm
Dimension B	42 mm
Dimension H	33 mm
Dimension L	42 mm

Technical data

Maintain electrical functions	no
Suitable for mesh cable tray	no
Suitable for cable ladder	no
Suitable for cable tray	no
Suitable for profile shapes	I profile
With screw accessories	yes
Rustproof steel, pickled	no