

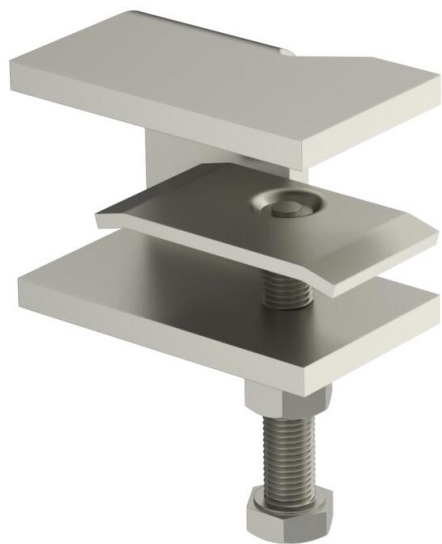
Technical data sheet

Hold-down clamp w. press plate 52 A2

Item number: 6221075



Hold-down clamp for position fixing of horizontal cable ladders on horizontal steel girders.



A2 Stainless steel

2B Bright, treated

Master data

Item number	6221075
Type	KLL 52 MD A2
Description 1	Hold-down clamp w. press plate
Description 2	for cable ladder
Manufacturer	OBO
Dimension	52x88x5
Material	Stainless steel
Surface	Bright, treated
Surface standard	
Smallest sales unit	10
Unit of quantity	Piece
Weight	26.352 kg
Weight unit	kg/100 pc.

Technical data sheet

Hold-down clamp w. press plate 52 A2

Item number: 6221075



Dimensions

