

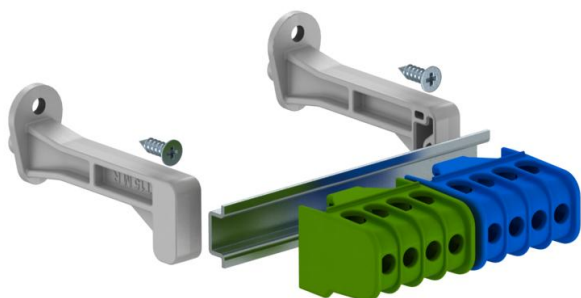
# Technical data sheet

## Terminal strip set with screw terminals for SDB 05

Item number: 2008884



Terminal strip set for the small distributors of the SDB series. The sets can be used to expand and equip empty small distributors of the SDB 05... type series. The terminal strip set with screw terminals contains:  
Mounting instructions; hat rail with corresponding support and fastening material;  
16 mm<sup>2</sup> protective conductor terminal; 16 mm<sup>2</sup> neutral conductor terminal



### Master data

Item number	2008884
Type	KLS-SDB 05
Description 1	Terminal strip pack
Description 2	with screw terminals
Manufacturer	OBO
Dimension	121x15x4
Smallest sales unit	1
Unit of quantity	Piece
Weight	8.43 kg
Weight unit	kg/100 pc.

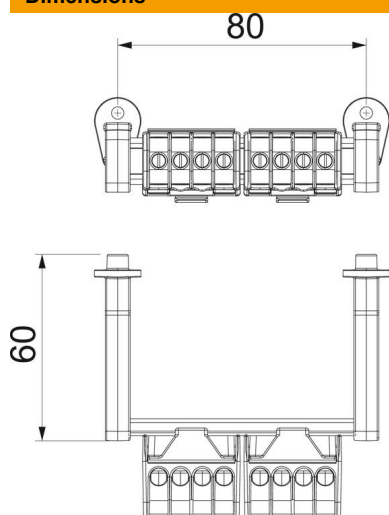
# Technical data sheet

## Terminal strip set with screw terminals for SDB 05

Item number: 2008884



### Dimensions



Length	82 mm
Width	20.5 mm
Height	31 mm

### Technical data

Number of screwless terminals per pole	4
Nominal cross-section, max.	16 mm <sup>2</sup>
Nominal cross-section, min.	6 mm <sup>2</sup>
Nominal voltage	450 V
Nominal current	100 A