

Technical data sheet

Spreading rivet, KSN 1

Item number: 6178520



The KNW1 riveting tool should be used for rapid mounting and for the optimum function. Dimension of the drill hole: 4.5 mm.

Total clamping strength: 2.2–4 mm



PP Polypropylene

Master data

Item number	6178520
Type	KSN1
Description 1	Body-bound rivet
Description 2	size 1
Manufacturer	OBO
Dimension	Ø4,5mm
Colour	Light grey; RAL 7035
Material	Polypropylene
Smallest sales unit	100
Unit of quantity	Piece
Weight	0.026 kg
Weight unit	kg/100 pc.

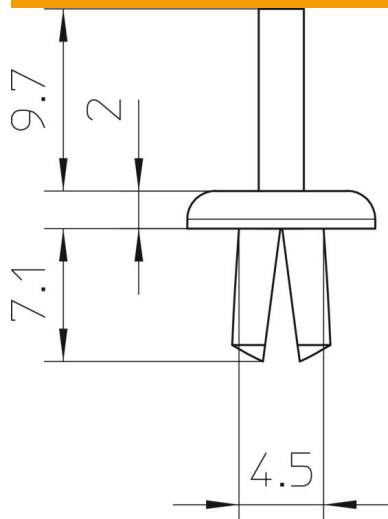
Technical data sheet

Spreading rivet, KSN 1

Item number: 6178520



Dimensions



Dimension a 4.5 mm

Technical data

Bore hole diameter	4.5 mm
Halogen-free	yes