

Technical data sheet

Identification clip

Item number: 6017713



Identification clip for screwless fastening on mesh cable trays.

The identification clip is fastened to the mesh cable tray without screws simply by attaching it.



PA Polyamide

Master data

Item number	6017713
Type	KS GR ZGB
Description 1	Identification plate
Description 2	for mesh cable trays
Manufacturer	OBO
Dimension	127x18
Colour	Zinc yellow; RAL 1018
Material	Polyamide
Smallest sales unit	10
Unit of quantity	Piece
Weight	0.742 kg
Weight unit	kg/100 pc.

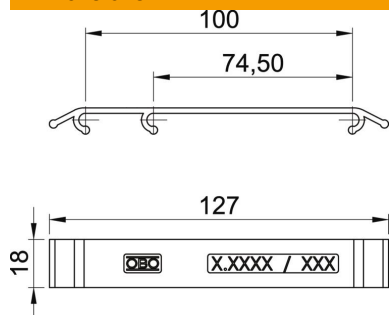
Technical data sheet

Identification clip

Item number: 6017713



Dimensions



Length	127 mm
Width	18 mm

Technical data

Fastening, self-adhesive	no
With warning/information symbol	no
With warning/information text	yes
Phosphorescent	no
Type of accessory	Miscellaneous
Accessories	yes
Spare part	no