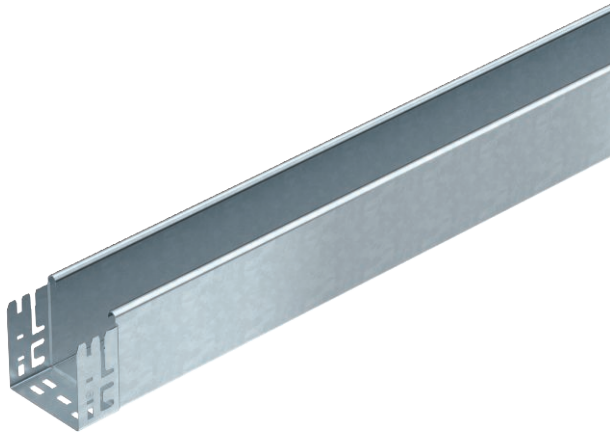


Technical data sheet

Cable tray MKS-Magic® 110, unperforated

Item no. 6059399



Unperforated cable tray with integrated quick fastening system. The usable length of the cable tray is 3,000 mm.

Continuous equipotential bonding is guaranteed without additional components.



St Steel

FT Hot-dip galvanised

Master data

Item no.	6059399
Type	MKSMU 110 FT
Description 1	Cable tray MKSMU
Description 2	unperforated, quick connector
Manufacturer	OBO
Dimension	110x100x3050
Material	Steel
Material symbol	St
Surface	Hot-dip galvanised
Surface to DIN	DIN EN ISO 1461
Surface symbol	FT
Smallest sales unit (VG)	3 m
Weight	296,46 kg/100 m

Technical data

	Usable cross-section	10.800,00 mm ²
	Usable cross-section	108,00 cm ²
	Suitable for maintaining electrical function	<input type="checkbox"/>
	Connector version	Integrated connector
	With cover	<input type="checkbox"/>
	Mounting perforation in base	<input type="checkbox"/>
	NATO hole pattern	<input type="checkbox"/>
	Rustproof steel, pickled	<input type="checkbox"/>
	Side perforation	<input type="checkbox"/>
	Wide-span version	<input type="checkbox"/>

Technical data sheet

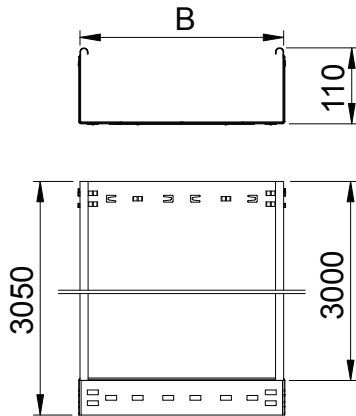
Cable tray MKS-Magic® 110, unperforated

Item no. 6059399



Technical data

Dimensions

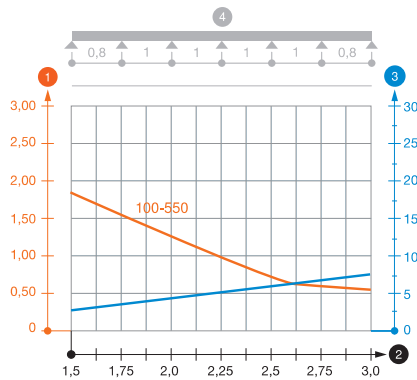


Length	3.050,00 mm
Width	100,00 mm
Height	110,00 mm
Side height	110,00 mm
Dimension B	100,00 mm
Plate thickness	1,00 mm

Appr. load:

Support spacing 1.5 m	1,85 kN/m
Support spacing 2.0 m	1,30 kN/m
Support spacing 2.5 m	0,75 kN/m
Support spacing 3.0 m	0,60 kN/m

Load diagram, cable tray, type MKSMU 110



- 1 Permitted cable tray/ladder load in kN/m without man load
- 2 Support width in m
- 3 Rail bend in mm at permitted kN/m
- 4 Load scheme during testing
- Load curve with cable tray/ladder width in mm
- Strut bend curve according to support width