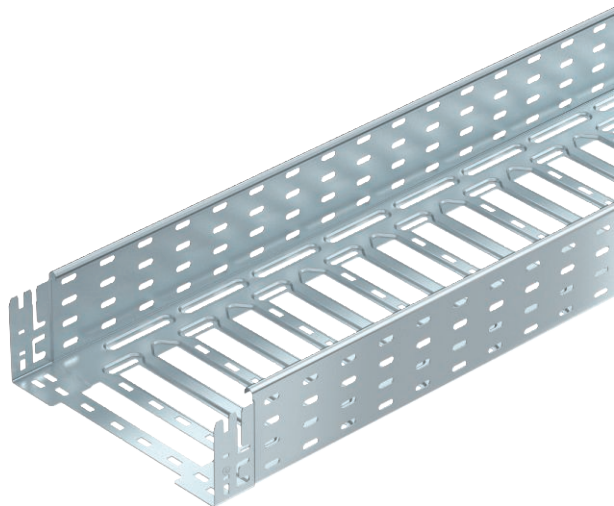


Technical data sheet

Cable tray MKS-Magic® 110

Item no. 6059162



Cable tray with integrated quick fastening system. The usable length of the cable tray is 3,000 mm.
The cable tray has continuous side perforations of 7 x 20 mm for the installation of additional connection and mounting components.

Continuous equipotential bonding is guaranteed without additional components.



St	Steel
FS	Strip galvanised

Master data

Item no.	6059162
Type	MKSM 130 FS
Description 1	Cable tray MKSM
Description 2	perforated, quick connector
Manufacturer	OBO
Dimension	110x300x3050
Material	Steel
Material symbol	St
Surface	Strip galvanised
Surface to DIN	DIN EN 10346
Surface symbol	FS
Smallest sales unit (VG)	3 m
Weight	331,08 kg/100 m

Technical data



Usable cross-section	32.800,00 mm ²
Usable cross-section	328,00 cm ²
Suitable for maintaining electrical function	<input type="checkbox"/>
Connector version	Integrated connector
With cover	<input type="checkbox"/>
Mounting perforation in base	<input checked="" type="checkbox"/>
NATO hole pattern	<input type="checkbox"/>
Rustproof steel, pickled	<input type="checkbox"/>
Side perforation	<input checked="" type="checkbox"/>
Wide-span version	<input type="checkbox"/>

Technical data sheet

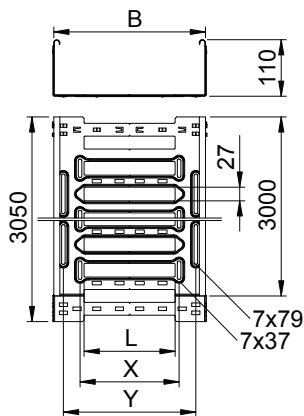
Cable tray MKS-Magic® 110

Item no. 6059162



Technical data

Dimensions

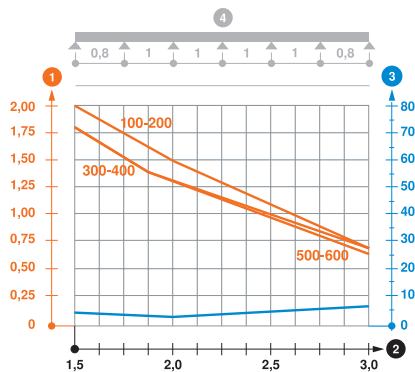


Length	3.050,00 mm
Width	300,00 mm
Height	110,00 mm
Side height	110,00 mm
Dimension B	300,00 mm
Dimension L	180,00 mm
Dimension x	196,00 mm
Dimension y	262,00 mm
Plate thickness	1,00 mm

Appr. load:

Support spacing 1.5 m	1,80 kN/m
Support spacing 2.0 m	1,30 kN/m
Support spacing 2.5 m	0,93 kN/m
Support spacing 3.0 m	0,70 kN/m

Load diagram, cable tray, type MKSM 110



- 1 Permitted cable tray/ladder load in kN/m without man load
- 2 Support width in m
- 3 Rail bend in mm at permitted kN/m
- 4 Load scheme during testing
- Load curve with cable tray/ladder width in mm
- Strut bend curve according to support width