

Technical data sheet

Cable tray RKS-Magic® 60

Item no. 6047738



Cable tray with integrated quick fastening system. The usable length of the cable tray is 3,000 mm.

The cable tray has continuous side perforations of 7 x 20 mm for the installation of additional connection and mounting components.

The perforation for direct threaded rod suspension has a diameter of 11 mm.

Continuous equipotential bonding is guaranteed without additional components.

Magnetic shield insulation without cover 20 dB, with cover 50 dB.



VA Stainless steel, rustproof 1.4571

2B Bright, reworked

Master data

Item no.	6047738
Type	RKSM 660 A4
Description 1	Cable tray RKSM
Description 2	Magic, quick connector
Manufacturer	OBO
Dimension	60x600x3050
Material	Stainless steel, material no. 1.4571
Material symbol	A4
Surface	Bright, reworked
Surface symbol	2B
Smallest sales unit (VG)	3 m
Weight	499,48 kg/100 m

Technical data



Usable cross-section	35.800,00 mm ²
Usable cross-section	358,00 cm ²
Suitable for maintaining electrical function	<input type="checkbox"/>
Connector version	Integrated connector
Base perforation	1
With cover	<input type="checkbox"/>
Mounting perforation in base	<input checked="" type="checkbox"/>
NATO hole pattern	<input type="checkbox"/>
Rustproof steel, pickled	<input type="checkbox"/>
Side perforation	<input checked="" type="checkbox"/>
Wide-span version	<input type="checkbox"/>

Technical data sheet

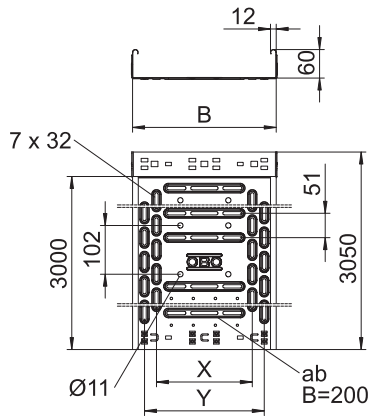
Cable tray RKS-Magic® 60

Item no. 6047738



Technical data

Dimensions

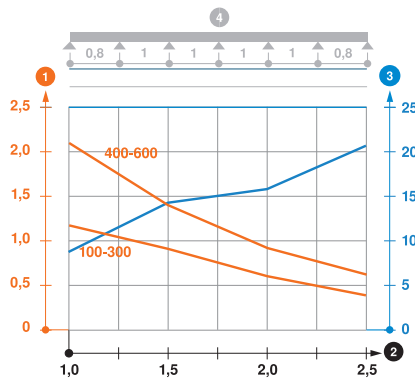


Length	3.050,00 mm
Width	600,00 mm
Height	60,00 mm
Side height	60,00 mm
Dimension B	600,00 mm
Dimension x	450,00 mm
Dimension y	550,00 mm
Dimension t	400,00 mm
Plate thickness	0,90 mm

Appr. load:

Support spacing 1.0 m	2,10 kN/m
Support spacing 1.5 m	1,35 kN/m
Support spacing 2.0 m	0,90 kN/m
Support spacing 2.5 m	0,60 kN/m

Load diagram, cable tray, type RKSM 60



1 Permitted cable tray/ladder load in kN/m without man load

2 Support width in m

3 Rail bend in mm at permitted kN/m

4 Load scheme during testing

— Load curve with cable tray/ladder width in mm

— Strut bend curve according to support width