

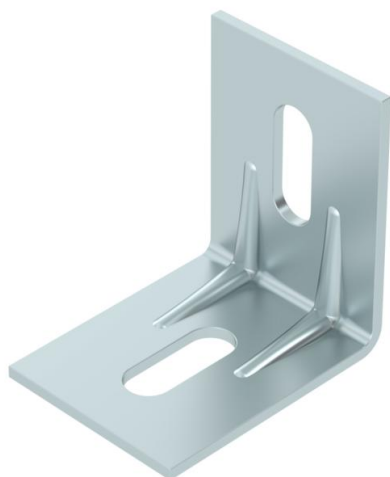
Technical data sheet

Ceiling bracket K6 A2

Item number: 6016391



Ceiling bracket for universal fixing to ceiling and wall, or on suspension profile type AP 45.



CE

A2 Stainless steel

2B Bright, treated

Master data

Item number	6016391
Type	K 6 101 A2
Description 1	Ceiling bracket
Manufacturer	OBO
Material	Stainless steel
Surface	Bright, treated
Surface standard	
Smallest sales unit	20
Unit of quantity	Piece
Weight	7 kg
Weight unit	kg/100 pc.

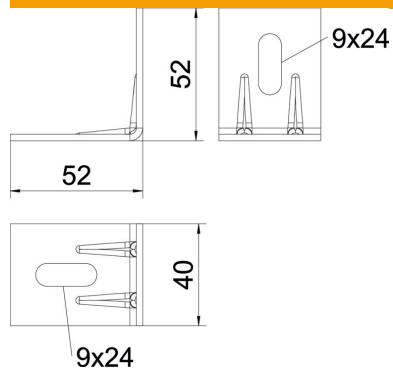
Technical data sheet

Ceiling bracket K6 A2

Item number: 6016391



Dimensions



Dimension	52x52
Length	40 mm
Width	52 mm
Width	2.05 in
Height	52 mm
Height	2.05 in