

# Technical data sheet

## Cover for add-on tee A2

Item number: 6226369



Cover with turn buckles for covering add-on tees with welded rungs.



**A2** Stainless steel

**2B** Bright, treated

### Master data

Item number	6226369
Type	LAAD 600 R3 A2
Description 1	Cover for add-on tee
Description 2	with turn buckle
Manufacturer	OBO
Dimension	B600
Material	Stainless steel
Surface	Bright, treated
Surface standard	
Smallest sales unit	1
Unit of quantity	Piece
Weight	414 kg
Weight unit	kg/100 pc.

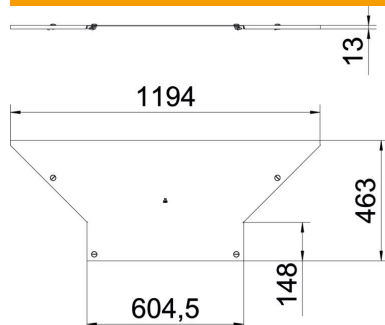
# Technical data sheet

## Cover for add-on tee A2

Item number: 6226369



### Dimensions



Width	600 mm
Plate thickness	1.25 mm
Dimension B	600 mm

### Technical data

Fastening type	Sash lock
Suitable for cable ladder	yes
Suitable for cable tray	no
Material thickness	1.25 mm
Rustproof steel, pickled	no
Permitted temperature range, max.	120 °C
Permitted temperature range, min.	-20 °C
Wide-span version	no