

Technical data sheet

Connector A2

Item number: 6221386



Connector for creation of branches at the same height at a later date.
To increase the cable supporting surface, use a conjunction of corner plates of type LEB.



A2 Stainless steel

2B Bright, treated

Master data

Item number	6221386
Type	LAS 60 A2
Description 1	Connection piece
Description 2	for cable ladder
Manufacturer	OBO
Dimension	H60mm
Material	Stainless steel
Surface	Bright, treated
Surface standard	
Smallest sales unit	10
Unit of quantity	Piece
Weight	13 kg
Weight unit	kg/100 pc.

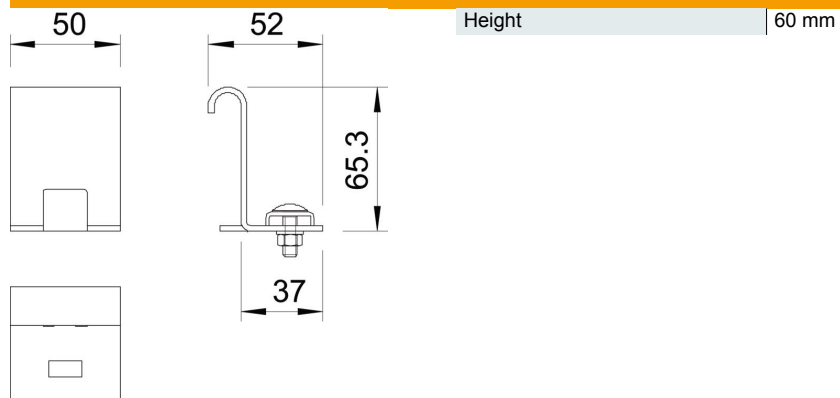
Technical data sheet

Connector A2

Item number: 6221386



Dimensions



Technical data

Suitable for mesh cable tray	no
Suitable for cable ladder	yes
Suitable for cable tray	no
Rustproof steel, pickled	no