

# Technical data sheet

## Connector FT

Item number: 6221378



Connector for creation of branches at the same height at a later date.  
To increase the cable bracket, use a combination of corner plates of type LEB.



**St** Steel

**FT** Hot-dip galvanised

### Master data

Item number	6221378
Type	LAS 60 FT
Description 1	Connection piece
Description 2	for cable ladder
Manufacturer	OBO
Dimension	H60mm
Material	Steel
Surface	Hot-dip galvanised
Surface standard	DIN EN ISO 1461
Smallest sales unit	10
Unit of quantity	Piece
Weight	13.6 kg
Weight unit	kg/100 pc.

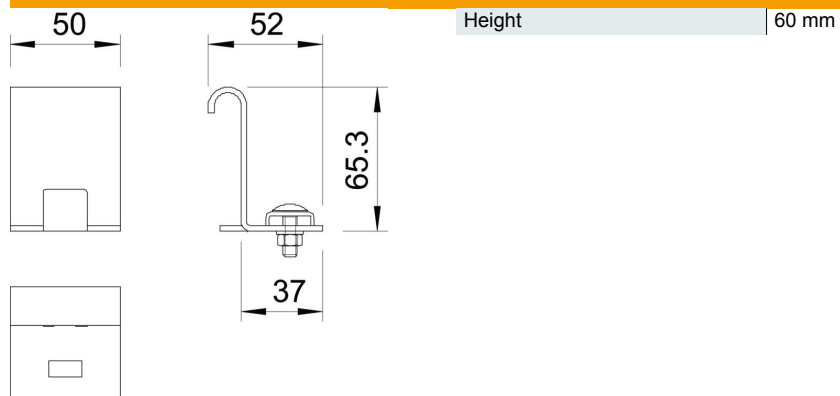
# Technical data sheet

## Connector FT

Item number: 6221378



### Dimensions



### Technical data

Suitable for mesh cable tray	no
Suitable for cable ladder	yes
Suitable for cable tray	no
Rustproof steel, pickled	no