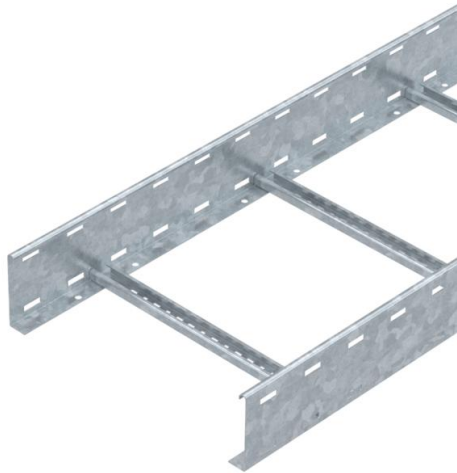


Technical data sheet

Cable ladder LG 110, 6 m VS FT SOMY



Item number: 7186395



Cable ladder with 110 mm side height with riveted C profile rungs which are open in an upwards direction. Rolled side rail for reinforcement and as edge protection. Fastening to the bracket takes place using hold-down clamps, type LKS 60/4. The slot dimension of the rung is 16.5 mm and the appropriate clamp clip is type 2056.

The cable ladder is shipped folded up.

You can find the appropriate type 2056 clamp clip in the vertical ladder systems section.

Magnetic shield insulation without cover 10 dB, with cover 15 dB.



St Steel

FT SO Hot-dip galvanised 85 µm

Master data

Item number	7186395
Type	LG 114 VS 6FT SO
Description 1	Cable ladder
Description 2	perforated, with VS rung
Manufacturer	OBO
Dimension	110x400x6000
Material	Steel
Surface	Hot-dip galvanised 85 µm
Surface standard	DIN EN ISO 1461
Smallest sales unit	6
Unit of quantity	Metre
Weight	461.167 kg
Weight unit	kg/100 m

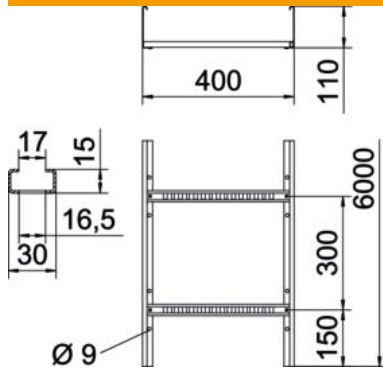
Technical data sheet

Cable ladder LG 110, 6 m VS FT SOMY

Item number: 7186395



Dimensions



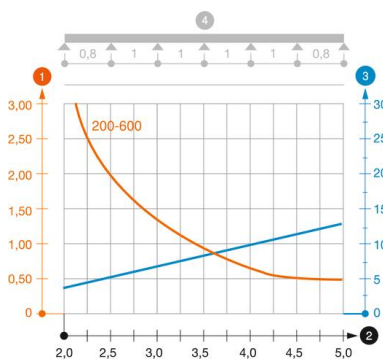
Length	6,000 mm
Length	6,000 ft
Width	400 mm
Height	110 mm
Dimension B	400 mm
Rung slot dimension	16.50

Technical data

Maintain electrical functions	no
Usable cross-section	378 cm ²
Usable cross-section	37800 mm ²
Rustproof steel, pickled	no
Side perforation	yes
Rung distance	300 mm
Wide-span version	no
Rail thickness	1.5 mm

Loads

Support spacing 2.0 m	3.1 kN/m
Support spacing 2.5 m	2 kN/m
Support spacing 3.0 m	1.4 kN/m
Support spacing 3.5 m	0.9 kN/m
Support spacing 4.0 m	0.65 kN/m
Support spacing 4.5 m	0.5 kN/m
Support spacing 5.0 m	0.5 kN/m



Load diagram, cable ladder, type LG 110 VS

- 1 Permitted cable tray/ladder load in kN/m without man load
- 2 Support width in m
- 3 Rail bend in mm at permitted kN/m
- 4 Load scheme during testing
- Load curve with cable tray/ladder width in mm
- Strut bend curve according to support width