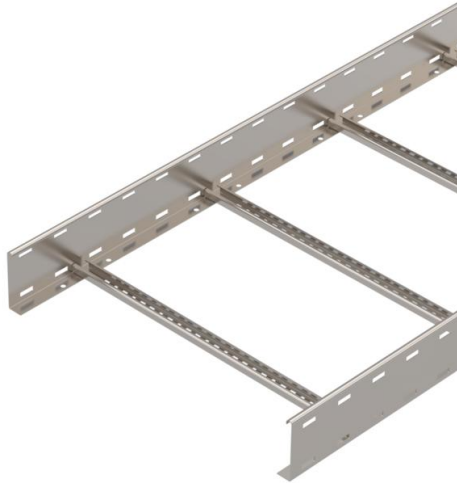


# Technical data sheet

## Cable ladder LG 110, 6 m VS A2

Item number: 6216499



Cable ladder with perforated side rail of side height 110 mm with riveted C profile rungs, open in an upwards direction. The cable ladder is shipped folded up.

You can find the appropriate U clamp of type 2056 in the vertical ladder systems chapter. Magnetic shield insulation without cover 10 dB, with cover 15 dB.



**A2** Stainless steel

**2B** Bright, treated

### Master data

Item number	6216499
Type	LG 116 VS6 A2
Description 1	Cable ladder
Description 2	perforated, with VS rung
Manufacturer	OBO
Dimension	110x600x6000
Material	Stainless steel
Surface	Bright, treated
Surface standard	
Smallest sales unit	6
Unit of quantity	Metre
Weight	468.666 kg
Weight unit	kg/100 m

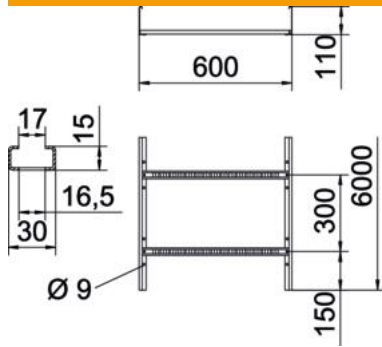
# Technical data sheet

Cable ladder LG 110, 6 m VS A2

Item number: 6216499



## Dimensions



Dimension	110x600
Length	6,000 mm
Length	6,000 ft
Width	600 mm
Height	110 mm
Dimension B	600 mm
Rung slot dimension	16.50

## Technical data

Usable cross-section	568 cm <sup>2</sup>
Usable cross-section	56800 mm <sup>2</sup>
Rung distance	300 mm
Rail thickness	1.5 mm

## Loads

Support spacing 2.0 m	3.1 kN/m
Support spacing 2.5 m	2 kN/m
Support spacing 3.0 m	1.3 kN/m
Support spacing 3.5 m	0.9 kN/m
Support spacing 4.0 m	0.6 kN/m
Support spacing 4.5 m	0.5 kN/m
Support spacing 5.0 m	0.45 kN/m