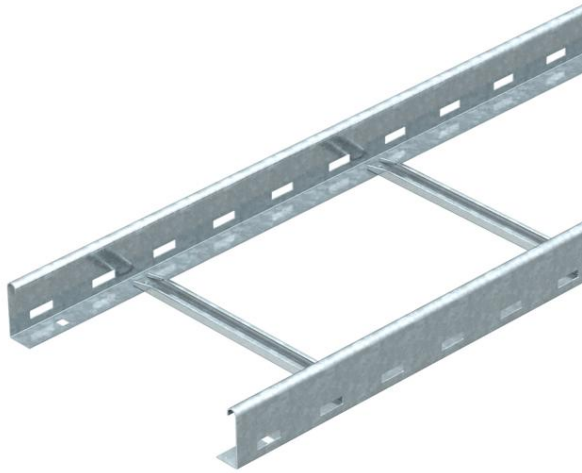


Technical data sheet

LG 60 cable ladder, 3 m NS FS

Item number: 6208515



Cable ladder with perforated side rail of side height 60 mm with riveted C profile rungs, open in an upwards direction (NS version).

The cable ladder is shipped folded up.

You can find the appropriate U clamp of type 2056N in the vertical ladder systems chapter.

Magnetic shield insulation without cover 10 dB, with cover 15 dB.



St Steel

FS Strip galvanized

Master data

| | |
|---------------------|--------------------------|
| Item number | 6208515 |
| Type | LG 650 NS 3 FS |
| Description 1 | Cable ladder |
| Description 2 | perforated, with NS rung |
| Manufacturer | OBO |
| Dimension | 60x500x3000 |
| Material | Steel |
| Surface | Strip galvanized |
| Surface standard | DIN EN 10346 |
| Smallest sales unit | 3 |
| Unit of quantity | Metre |
| Weight | 301.67 kg |
| Weight unit | kg/100 m |

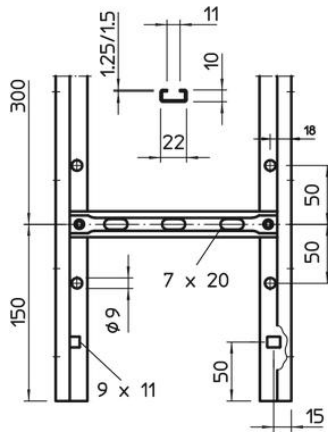
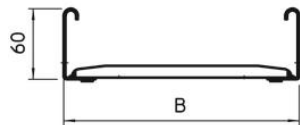
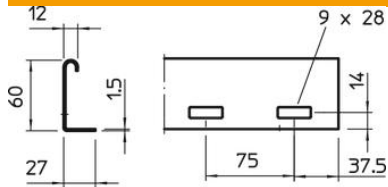
Technical data sheet

LG 60 cable ladder, 3 m NS FS

Item number: 6208515



Dimensions



| | |
|-----------|-------------|
| Dimension | 60x500x3000 |
| Length | 3,000 mm |
| Length | 3,000 ft |
| Width | 500 mm |
| Height | 60 mm |

Technical data

| | |
|-------------------------------|-----------------------|
| Version of the rungs | Profile perforated |
| Side rail version | Flat profile |
| Fastening of rung | Blind riveted |
| Maintain electrical functions | no |
| Usable cross-section | 248 cm ² |
| Usable cross-section | 24800 mm ² |
| Rustproof steel, pickled | no |
| Side perforation | yes |
| Rung distance | 300 mm |
| Wide-span version | no |
| Rail thickness | 1.5 mm |

Technical data sheet

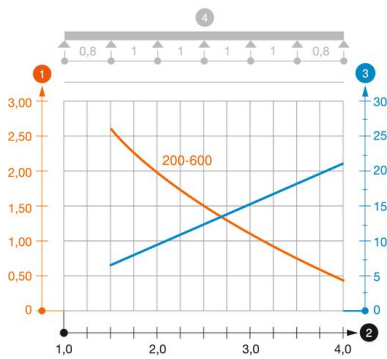
LG 60 cable ladder, 3 m NS FS

Item number: 6208515



Loads

| | |
|-----------------------|----------|
| Support spacing 1.5 m | 3.1 kN/m |
| Support spacing 2.0 m | 2 kN/m |
| Support spacing 2.5 m | 1.5 kN/m |
| Support spacing 3.0 m | 1 kN/m |
| Support spacing 3.5 m | 0.6 kN/m |
| Support spacing 4.0 m | 0.4 kN/m |



Load diagram, cable ladder, type LG 60 NS

- 1 Permitted cable tray/ladder load in kN/m without man load
- 2 Support width in m
- 3 Rail bend in mm at permitted kN/m
- 4 Load scheme during testing
- Load curve with cable tray/ladder width in mm
- Strut bend curve according to support width