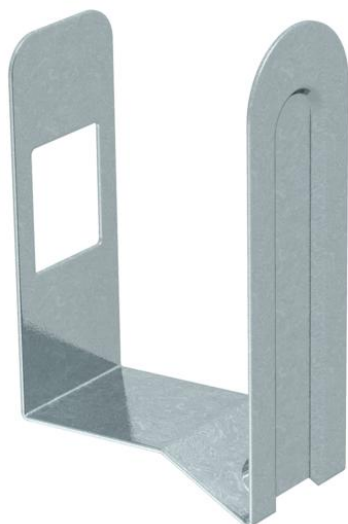


# Technical data sheet

## Trunking clamp, LKM, trunking width 100 mm

Item number: 6249884



The duct clamp keeps the inserted cables in the duct, thus simplifying installation on walls and ceilings. The duct clamps are plugged onto the loop perforation and locked on the side wall. Suitable for duct width 100 mm.



- St** Steel
- GBP** galvanised, blue passivated

### Master data

Item number	6249884
Type	LKM K80
Description 1	Trunking clamp
Manufacturer	OBO
Dimension	80mm
Material	Steel
Surface	galvanised, blue passivated
Surface standard	
Smallest sales unit	20
Unit of quantity	Piece
Weight	2.7 kg
Weight unit	kg/100 pc.

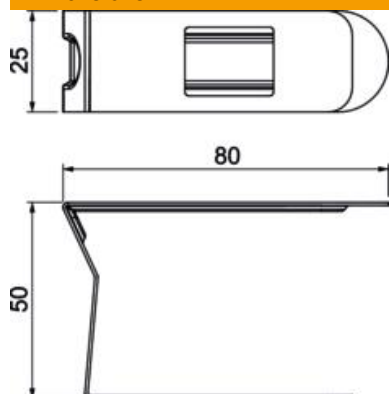
# Technical data sheet

Trunking clamp, LKM, trunking width 100 mm

Item number: 6249884



## Dimensions



Length	25 mm
Width	81 mm
Height	49 mm
Dimension a	25 mm
Dimension b	81 mm
Dimension c	49 mm

## Technical data

Fastening type	Lockable
Maintain electrical functions for duct dimension	no
Halogen-free	60 x 100
With equipotential bonding	yes
Protection rating	no
Protection rating IK code	IP30
Permitted temperature range, max.	IK10
Permitted temperature range, min.	90 °C
	-5 °C