

# Technical data sheet

## Cover for tee A2

Item number: 6226160



Cover with turn buckles for covering T pieces with welded rungs.



**A2** Stainless steel

**2B** Bright, treated

### Master data

Item number	6226160
Type	LTD 200 R3 A2
Description 1	Cover for T piece
Description 2	with turn buckle
Manufacturer	OBO
Dimension	B200
Material	Stainless steel
Surface	Bright, treated
Surface standard	
Smallest sales unit	1
Unit of quantity	Piece
Weight	287 kg
Weight unit	kg/100 pc.

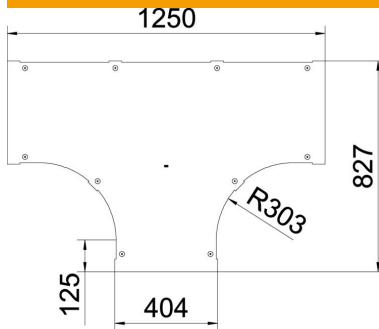
# Technical data sheet

## Cover for tee A2

Item number: 6226160



### Dimensions



Width	200 mm
Plate thickness	1 mm
Dimension B	200 mm

### Technical data

Fastening type	Sash lock
Suitable for cable ladder	yes
Suitable for cable tray	no
Material thickness	1 mm
Rustproof steel, pickled	no
Wide-span version	no