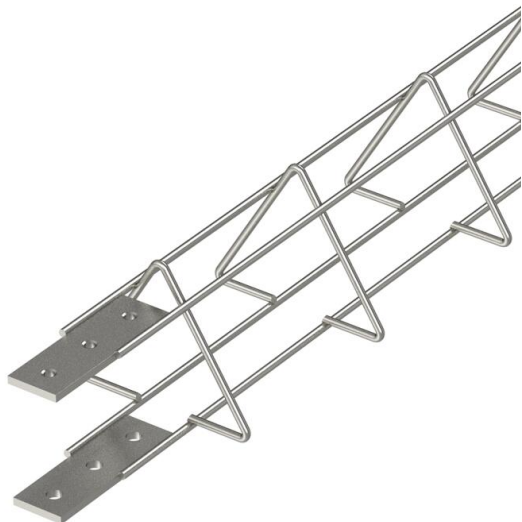


Technical data sheet

Luminaire support mesh tray

Item number: 6003830



Luminaire support grid for luminaire suspension. The constructive design of this system avoids larger build-ups of dirt.



A2 Stainless steel

2B Bright, treated

Master data

Item number	6003830
Type	LTG 100 A2
Description 1	Luminaire support
Manufacturer	OBO
Dimension	87x80x2080
Material	Stainless steel
Surface	Bright, treated
Surface standard	
Smallest sales unit	2
Unit of quantity	Metre
Weight	69.5 kg
Weight unit	kg/100 m

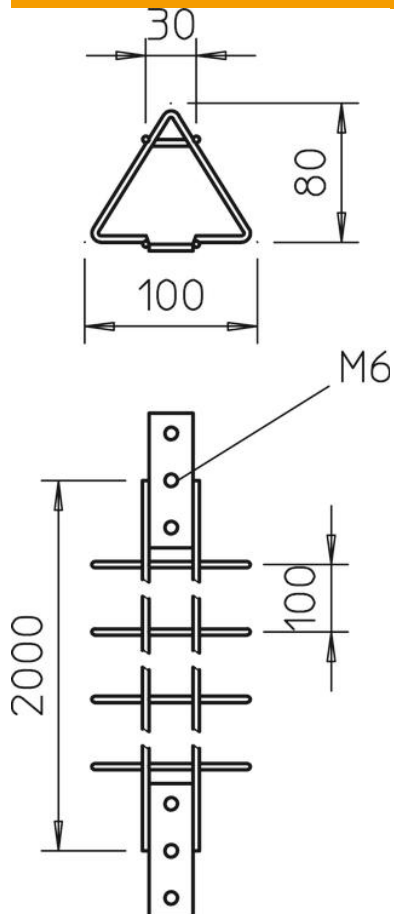
Technical data sheet

Luminaire support mesh tray

Item number: 6003830



Dimensions



Length	2,080 mm
Width	100 mm
Height	80 mm

Technical data

Connector version	Integrated connector
Mounting perforation in base	yes
Rustproof steel, pickled	yes
Side perforation	yes
Type of connector, cable support system	Screwed