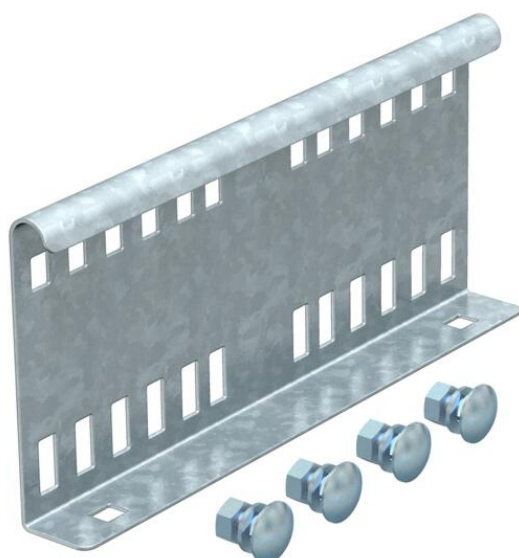


Technical data sheet

Straight connector FT SOMY

Item number: 7189256



Straight connectors as internal connectors to connect cable ladders and fittings of 110 mm side height.
The adjustable connector ensures the continuity of the equipotential bonding.



St Steel

FT SO Hot-dip galvanised 85 µm

Master data

Item number	7189256
Type	LVG 110 FT SO
Description 1	Straight connector
Description 2	for cable ladder
Manufacturer	OBO
Dimension	114x250
Material	Steel
Surface	Hot-dip galvanised 85 µm
Surface standard	DIN EN ISO 1461
Smallest sales unit	10
Unit of quantity	Piece
Weight	55.2 kg
Weight unit	kg/100 pc.

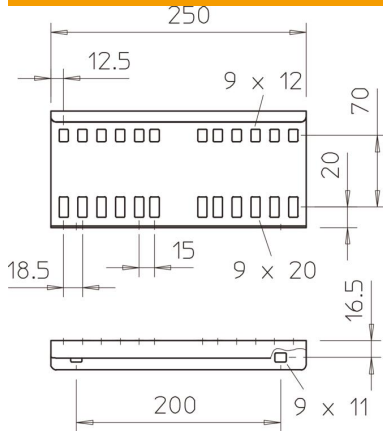
Technical data sheet

Straight connector FT SOMY



Item number: 7189256

Dimensions



Length	250 mm
Width	28 mm
Height	110 mm

Technical data

Version for	Straight connector
Suitable for mesh cable tray	no
Suitable for cable ladder	yes
Suitable for cable tray	no
Suitable for cable tray system height	110 mm
Adjustable connector, horizontal	no
Articulated connector, vertical	no
Rustproof steel, pickled	no
Connection type	Screw connector