

Technical data sheet

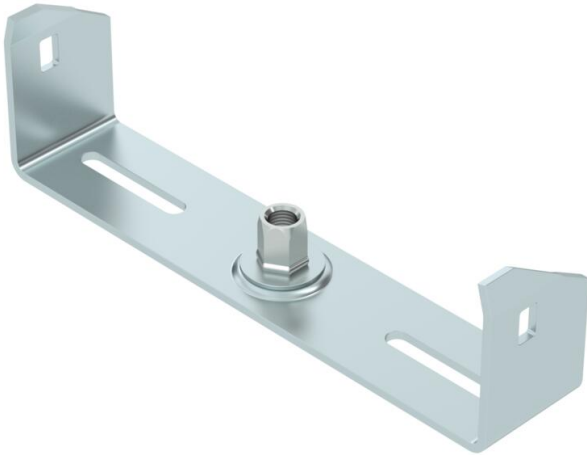
Central hanger for cable tray, side height 60 mm FS

Item number: 6358713



Centre suspension for cable trays with rolled side rail of side height 60 mm. The centre suspension possesses a rotatable M10 threaded sleeve. When filling, ensure an even distribution of the load (avoid one-sided filling).

The widths 100, 150 and 200 mm have additional base perforations, in order to screw the centre suspensions to the tray base when used for the maintenance of electrical functionality according to DIN 4102 Part 12.



St Steel

FS Strip galvanized

Master data

Item number	6358713
Type	MAH 60 200 FS
Description 1	Centre suspension
Description 2	for cable tray
Manufacturer	OBO
Dimension	B200mm
Material	Steel
Surface	Strip galvanized
Surface standard	DIN EN 10346
Smallest sales unit	1
Unit of quantity	Piece
Weight	24.5 kg
Weight unit	kg/100 pc.

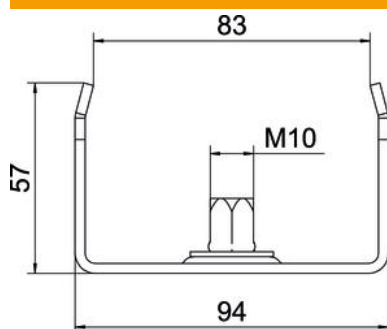
Technical data sheet

Central hanger for cable tray, side height 60 mm FS

Item number: 6358713



Dimensions



Length	40 mm
Width	200 mm
Width	12 in
Height	57 mm
Dimension B	195 mm
Dimension b	184 mm
Dimension B1	184 mm

Technical data

Version for	Suspended
F in kN	0.2 kN
Maintain electrical functions	yes
for width max.	200 mm
for width min.	200
Suitable for metric threaded rod	10
Suitable for mesh cable tray	no
Suitable for cable ladder	no
Suitable for cable tray	yes
Suitable for tray/ladder width	200 mm
Hole diameter	10.5 mm
Adjustable	no