

Technical data sheet

Mounting and fastening plate T350

Item number: 2007880



This mounting and fastening plate gives the options for variable fixing of external components in the junction box. It consists of strip-galvanized sheet steel of a material thickness of 2 mm.

The appropriate fastening holes are drilled into the steel plate for the component that needs to be fixed. Then, the products can be attached onto the sheet with cable ties, screws or similar fastening materials.

Using the screws included in the scope of the delivery, the mounting fastening plate can now be fixed in the appropriate T series (T 60) junction box.



St

Steel

FS

Strip galvanized

Master data

Item number	2007880
Type	MBP T60
Description 1	Mounting fastening plate
Description 2	incl. fastening screws
Manufacturer	OBO
Dimension	85x85x2
Material	Steel
Surface	Strip galvanized
Surface standard	DIN EN 10346
Smallest sales unit	1
Unit of quantity	Piece
Weight	8.2 kg
Weight unit	kg/100 pc.

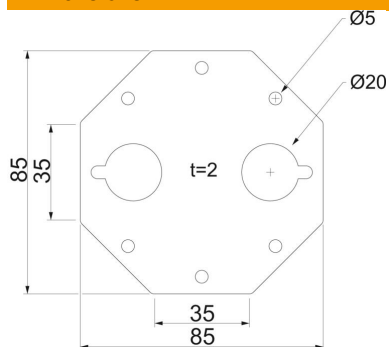
Technical data sheet

Mounting and fastening plate T350

Item number: 2007880



Dimensions



Width	85 mm
Height	85 mm
Dimension B	85 mm
Dimension B1	35 mm
Dimension L	85 mm
Dimension L1	35 mm

Technical data

Material thickness	2 mm
With perforation	yes