

Technical data sheet

90° bend 15 FS, shipbuilding

Item number: 7061252



90° horizontal bend, for all ship construction cable tray types, produced according to the marine standard VG 88900-2.



St Steel

FS Strip galvanized

Master data

| | |
|---------------------|--------------------------------|
| Item number | 7061252 |
| Type | MKRB 90 15 125FS |
| Description 1 | 90° bend |
| Description 2 | for cable tray marine standard |
| Manufacturer | OBO |
| Dimension | B125mm |
| Material | Steel |
| Surface | Strip galvanized |
| Surface standard | DIN EN 10346 |
| Smallest sales unit | 1 |
| Unit of quantity | Piece |
| Weight | 56.5 kg |
| Weight unit | kg/100 pc. |

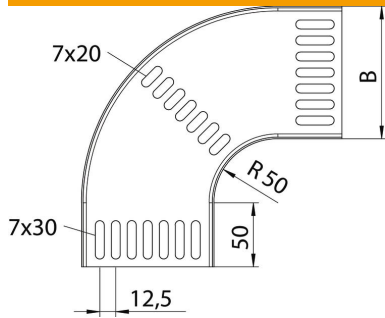
Technical data sheet

90° bend 15 FS, shipbuilding

Item number: 7061252



Dimensions



| | |
|-----------------|---------|
| Width | 126 mm |
| Height | 15 mm |
| Plate thickness | 1.25 mm |
| Dimension B | 126 mm |

Technical data

| | |
|---|--------------------|
| Bend (angle) | 90° |
| Connector version | Without connectors |
| Type | Bend, rigid |
| Maintain electrical functions | no |
| Mounting perforation in base | yes |
| NATO hole pattern | yes |
| Change of direction | Horizontal |
| Rustproof steel, pickled | no |
| Side perforation | no |
| Wide-span version | no |
| Type of connector, cable support system | Screwed |