

Technical data sheet

Slide nut with spring ZL

Item number: 1147314



Slide nut with spring for use with MS4121 und MS4141 profile rails



St Steel

F Hot galvanized

Master data

Item number	1147314
Type	MS41SNF M10 F
Description 1	Slide nut with spring
Description 2	for profile rail MS4121/4141
Manufacturer	OBO
Dimension	M10
Material	Steel
Surface	Hot galvanized
Surface standard	DIN 267, Teil 10
Smallest sales unit	50
Unit of quantity	Piece
Weight	4 kg
Weight unit	kg/100 pc.

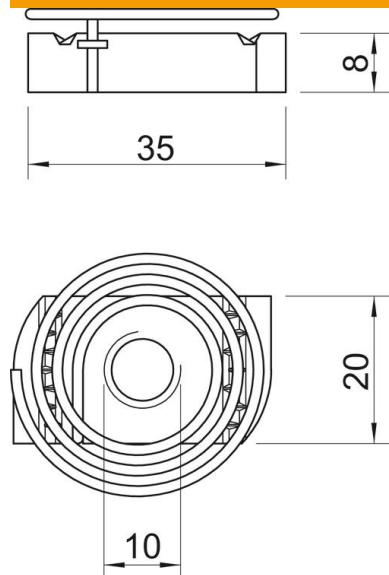
Technical data sheet

Slide nut with spring ZL

Item number: 1147314



Dimensions



Length	35 mm
Width	20 mm
Height	8 mm

Technical data

Thread	M10
Thread metric	10
With spring	yes