

Technical data sheet

MSL4141 mounting rail, slot 22 mm, FS, perforated

Item number: 1123264



Heavy-duty C profile rail for individual installation of support constructions, e.g. for cable trays or as a panel for switchgear cabinets. Can also be used for cable routing, in conjunction with clamp clips with a U foot.



St Steel

FS Strip galvanized

Master data

| | |
|---------------------|-----------------------|
| Item number | 1123264 |
| Type | MSL4141P0300FS |
| Description 1 | Profile rail |
| Description 2 | perforated, slot 22mm |
| Manufacturer | OBO |
| Dimension | 300x41x41 |
| Material | Steel |
| Surface | Strip galvanized |
| Surface standard | DIN EN 10346 |
| Smallest sales unit | 1 |
| Unit of quantity | Piece |
| Weight | 60.6 kg |
| Weight unit | kg/100 pc. |

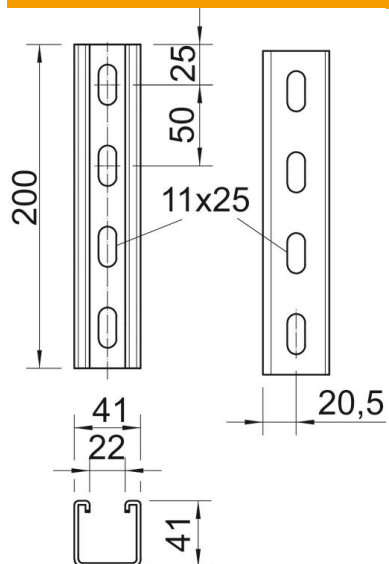
Technical data sheet

MSL4141 mounting rail, slot 22 mm, FS, perforated

Item number: 1123264



Dimensions



| | |
|-------------|--------|
| Length | 300 mm |
| Width | 41 mm |
| Height | 41 mm |
| Dimension L | 300 mm |

Technical data

| | |
|-------------------------------|----------------------|
| Breakable | no |
| Type of perforation | Perforated back |
| Version for | Single profile |
| Maintain electrical functions | no |
| Material thickness | 2 mm |
| With perforation | yes |
| With tothing | yes |
| Profile shape | C profile |
| Slot width | 22 mm |
| Static value A | 2.45 cm ² |
| Static value Iy | 5.18 cm |
| Static value Iz | 7.56 cm |
| Static value Wy | 2.51 cm ² |
| Static value Wz | 2.69 cm ² |