

Technical data sheet

MSL4141 mounting rail, slot 22 mm, FS, perforated

Item number: 1123268



Heavy-duty C profile rail for individual installation of support constructions, e.g. for cable trays or as a panel for switchgear cabinets. Can also be used for cable routing, in conjunction with clamp clips with a U foot.



St Steel

FS Strip galvanized

Master data

Item number	1123268
Type	MSL4141P0500FS
Description 1	Profile rail
Description 2	perforated, slot 22mm
Manufacturer	OBO
Dimension	500x41x41
Material	Steel
Surface	Strip galvanized
Surface standard	DIN EN 10346
Smallest sales unit	1
Unit of quantity	Piece
Weight	101 kg
Weight unit	kg/100 pc.

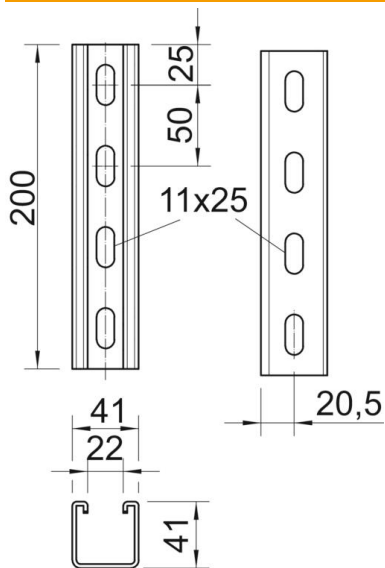
Technical data sheet

MSL4141 mounting rail, slot 22 mm, FS, perforated

Item number: 1123268



Dimensions



Length	500 mm
Width	41 mm
Height	41 mm
Dimension L	500 mm

Technical data

Breakable	no
Type of perforation	Perforated back
Version for	Single profile
Maintain electrical functions	no
Material thickness	2 mm
With perforation	yes
With tothing	yes
Profile shape	C profile
Slot width	22 mm
Static value A	2.45 cm ²
Static value I _y	5.18 cm
Static value I _z	7.56 cm
Static value W _y	2.51 cm ²
Static value W _z	2.69 cm ²