

Technical data sheet

Profile rail MS 22 L FT

Item number: 1122711



Heavy-duty C profile rail for individual installation of support constructions, e.g. for cable trays or as a panel for switchgear cabinets. Can also be used for cable routing, in conjunction with clamp clips with a U foot.



St Steel

FT Hot-dip galvanised

Master data

Item number	1122711
Type	MS 22 L 400 FT
Description 1	Profile rail
Description 2	perforated, slot 18mm
Manufacturer	OBO
Dimension	400x40x22,5
Material	Steel
Surface	Hot-dip galvanised
Surface standard	DIN EN ISO 1461
Smallest sales unit	1
Unit of quantity	Piece
Weight	64 kg
Weight unit	kg/100 pc.

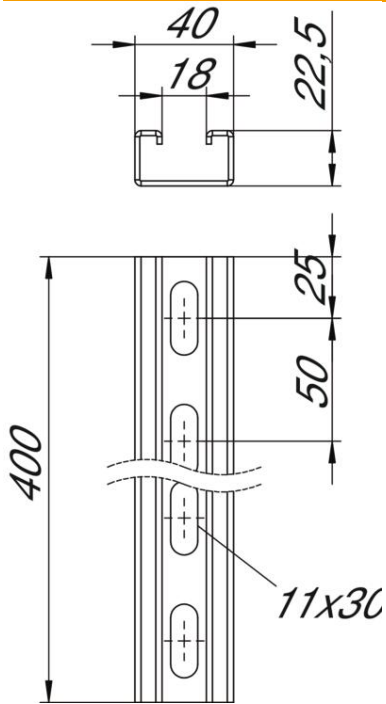
Technical data sheet

Profile rail MS 22 L FT

Item number: 1122711



Dimensions



Length	400 mm
Width	40 mm
Height	22.5 mm
Dimension L	400 mm

Technical data

Breakable	no
Type of perforation	Perforated back
Version for	Single profile
Drill hole spacing, centre	50 mm
Maintain electrical functions	no
Hole size	11x30 mm
Material thickness	2 mm
With perforation	yes
With tothing	no
Profile shape	C profile
Slot width	18 mm
Static value A	1.74 cm ²
Static value Iy	1.19 cm
Static value Iz	4.46 cm
Static value Wy	1.05 cm ²
Static value Wz	2.23 cm ²