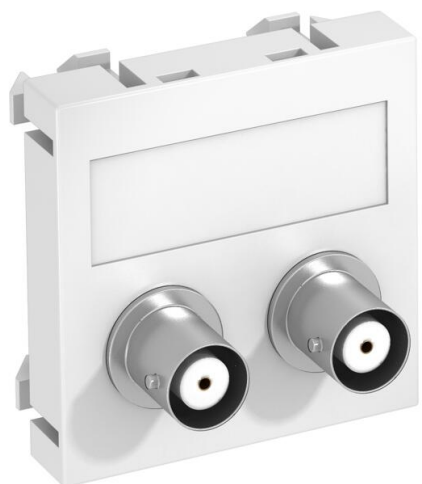


Technical data sheet

2x BNC connection, 1 module, straight outlet, as 1:1 coupling, pure white

Item number: 6105090



Multimedia support with two BNC connection sockets, straight cable outlet, with labelling panel, two BNC couplings, socket-socket version. Support plate with locking fastening, suitable for horizontal and vertical installation in the system environment.

PC Polycarbonate

Master data

| | |
|---------------------|-------------------------------|
| Item number | 6105090 |
| Type | MTG-2BC F RW1 |
| Description 1 | Multimedia support, audio BNC |
| Description 2 | 2x coupling, socket-socket |
| Manufacturer | OBO |
| Dimension | 45x45mm |
| Colour | Pure white; RAL 9010 |
| Material | Polycarbonate |
| Smallest sales unit | 1 |
| Unit of quantity | Piece |
| Weight | 2.5 kg |
| Weight unit | kg/100 pc. |

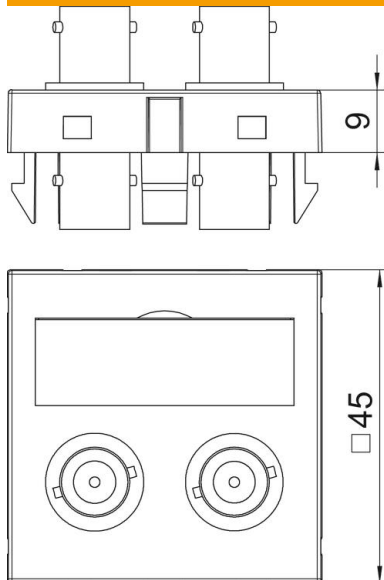
Technical data sheet

2x BNC connection, 1 module, straight outlet, as 1:1 coupling, pure white

Item number: 6105090



Dimensions



| | |
|--------|-------|
| Width | 45 mm |
| Height | 45 mm |

Technical data

| | |
|----------------------|--|
| Number of units | 1 |
| Surface version | Matt |
| Fastening type | Lock |
| Halogen-free | yes |
| Hinged cover | no |
| Lamp-wire connector | no |
| With printed label | no |
| With dust protection | no |
| Protection rating | IP20 |
| Depth | 9 mm |
| Support ring | no |
| Transparent | no |
| Use | BNC/TNC |
| Strain relief option | no |
| Combination | Basic element with central cover plate |