

Technical data sheet

XLR connection, 1 module, straight outlet, 3-pin connector,
as screw connection, aluminium-painted
Item number: 6105262



Multimedia support with one XLR connection socket, straight cable outlet, without labelling panel, 3-pin XLR socket with screw connection. Support plate with locking fastening, suitable for horizontal and vertical installation in the system environment.

PC Polycarbonate

Master data

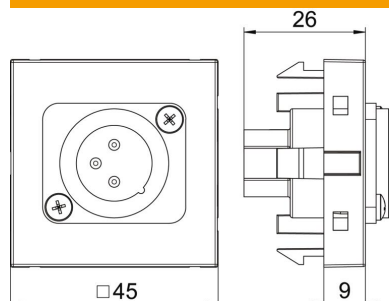
Item number	6105262
Type	MTG-X3M S AL1
Description 1	Multimedia support, XLR, 3-pin
Description 2	connector w. screw connection
Manufacturer	OBO
Dimension	45x45mm
Colour	Aluminium painted
Material	Polycarbonate
Smallest sales unit	1
Unit of quantity	Piece
Weight	3.5 kg
Weight unit	kg/100 pc.

Technical data sheet

XLR connection, 1 module, straight outlet, 3-pin connector,
as screw connection, aluminium-painted
Item number: 6105262



Dimensions



Width	45 mm
Height	45 mm

Technical data

Surface version	Matt
Fastening type	Lock
Labelling panel	Without labelling panel
Halogen-free	no
Hinged cover	no
Lamp-wire connector	no
With printed label	no
With dust protection	no
Protection rating	IP20
Depth	9 mm
Support ring	yes
Transparent	no
Use	XLR
Strain relief option	no
Combination	Basic element with central cover plate