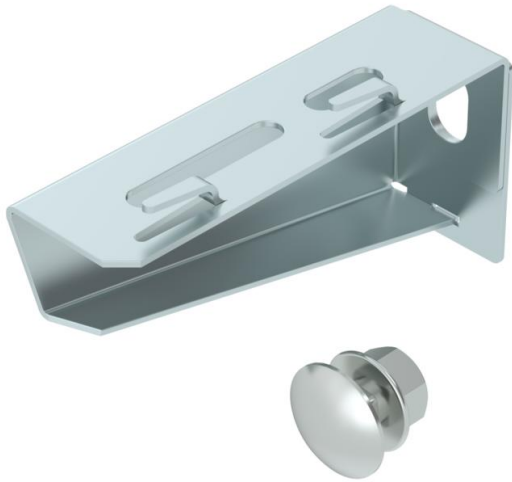


Technical data sheet

Wall and support bracket MWAG 12 FS

Item number: 6424600



Light-duty wall and support bracket with edged design for screwless mesh cable tray fastening.
Including truss-head bolt M10 x 25 for fastening to U supports.
Including truss-head bolt M10 x 25 for fastening to U supports.



- St** Steel
- FS** Strip galvanized

Master data

Item number	6424600
Type	MWAG 12 11 FS
Description 1	Wall and support bracket
Description 2	for mesh cable tray
Manufacturer	OBO
Dimension	B110mm
Material	Steel
Surface	Strip galvanized
Surface standard	DIN EN 10346
Smallest sales unit	1
Unit of quantity	Piece
Weight	12.7 kg
Weight unit	kg/100 pc.

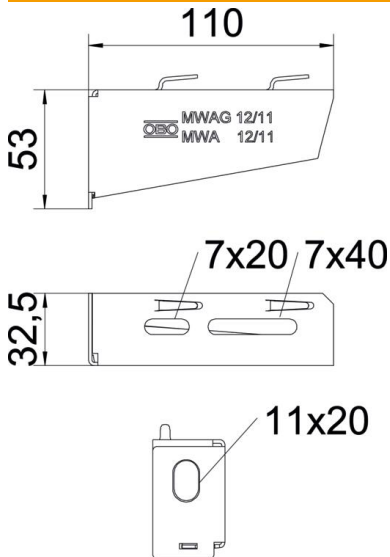
Technical data sheet

Wall and support bracket MWAG 12 FS

Item number: 6424600



Dimensions



Length	110 mm
Width	32.5 mm
Height	53 mm
Dimension A	32.5 mm
Dimension B	110 mm
Dimension H	53 mm

Chara

Die ange
achten!

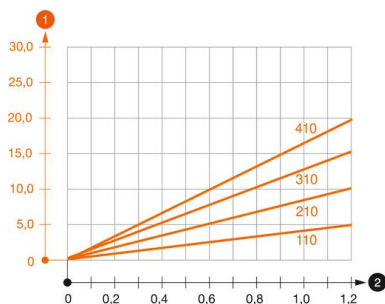
Load v



Technical data

Version for	Wall and support bracket
F in kN	1.2 kN
Maintain electrical functions	no
for width max.	100 mm
for width min.	100
Hole diameter	11 mm
Rustproof steel, pickled	no
Angle range, max.	90 mm
Angle range, min.	90 mm

Loads



Load diagram, bracket type MWAG 12

- 1** Bending of the bracket tip at permitted bracket load
- 2** Permitted bracket load in kN without man load
- Load curve with bracket lengths in mm