

# Technical data sheet

## Wall and support bracket MWAG 12

Item number: 6424608



Light-duty wall and support bracket with edged design for screwless mesh cable tray fastening.  
Including truss-head bolt M10 x 25 for fastening to U supports.  
Including truss-head bolt M10 x 25 for fastening to U supports.



- St** Steel
- FS** Strip galvanized

### Master data

Item number	6424608
Type	MWAG 12 21 FS
Description 1	Wall and support bracket
Description 2	for mesh cable tray
Manufacturer	OBO
Dimension	B210mm
Material	Steel
Surface	Strip galvanized
Surface standard	DIN EN 10346
Smallest sales unit	1
Unit of quantity	Piece
Weight	24.4 kg
Weight unit	kg/100 pc.

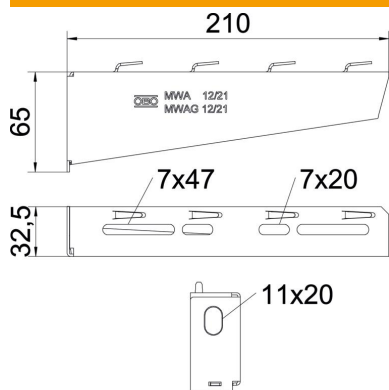
# Technical data sheet

## Wall and support bracket MWAG 12

Item number: 6424608



### Dimensions

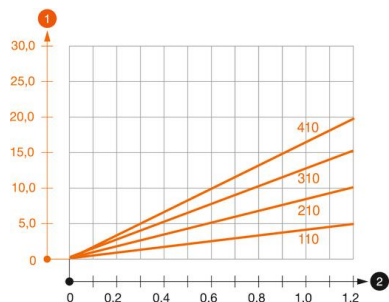


Length	210 mm
Width	32.5 mm
Height	65 mm
Dimension A	32.5 mm
Dimension B	210 mm
Dimension H	65 mm

### Technical data

Version for	Wall and support bracket
F in kN	1.2 kN
Maintain electrical functions for width max.	no
for width min.	200 mm
Hole diameter	200
Rustproof steel, pickled	11 mm
Angle range, max.	no
Angle range, min.	90 mm

### Loads



#### Load diagram, bracket type MWAG 12

- 1 Bending of the bracket tip at permitted bracket load
- 2 Permitted bracket load in kN without man load
- Load curve with bracket lengths in mm

### Characteristic anchor load values for wall and support bracket MWAG 12

Anchor type	Wall fastening			
	Max. load [kN]			
	Bracket width [mm]			
	110	210	310	410
BZ3 10x90/0-30	1.2	1.2	1.2	1.2

Die angegebenen Werte basieren auf ungerissenen Beton der Festigkeitsklasse C20/25. Die Einbaubedingungen der ETA-Zulassung (Dübel) sind zu beachten!