

# Technical data sheet

## Wall and support bracket MWAG 12

Item number: 6424624



Light-duty wall and support bracket with edged design for screwless mesh cable tray fastening.  
Including truss-head bolt M10 x 25 for fastening to U supports.  
Including truss-head bolt M10 x 25 for fastening to U supports.



- St** Steel
- FS** Strip galvanized

### Master data

Item number	6424624
Type	MWAG 12 41 FS
Description 1	Wall and support bracket
Description 2	for mesh cable tray
Manufacturer	OBO
Dimension	B410mm
Material	Steel
Surface	Strip galvanized
Surface standard	DIN EN 10346
Smallest sales unit	1
Unit of quantity	Piece
Weight	68 kg
Weight unit	kg/100 pc.

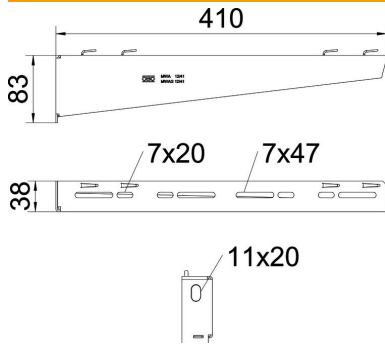
# Technical data sheet

## Wall and support bracket MWAG 12

Item number: 6424624



### Dimensions

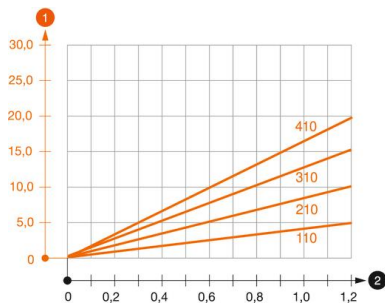


Length	410 mm
Width	38 mm
Height	83 mm
Dimension A	38 mm
Dimension B	410 mm
Dimension H	83 mm

### Technical data

Version for	Wall and support bracket
F in kN	1.2 kN
Maintain electrical functions	no
for width max.	400 mm
for width min.	400
Hole diameter	11 mm
Rustproof steel, pickled	no
Angle range, max.	90 mm
Angle range, min.	90 mm

### Loads



#### Load diagram, bracket type MWAG 12

- 1 Bending of the bracket tip at permitted bracket load
- 2 Permitted bracket load in kN without man load
- Load curve with bracket lengths in mm

### Characteristic anchor load values for wall and support bracket MWAG 12

Anchor type	Wall fastening			
	Max. load [kN]			
	Bracket width [mm]			
	110	210	310	410
BZ3 10x90/0-30	1.2	1.2	1.2	1.2

Die angegebenen Werte basieren auf ungerissenen Beton der Festigkeitsklasse C20/25. Die Einbaubedingungen der ETA-Zulassung (Dübel) sind zu beachten!