

Technical data sheet

Wall and support bracket MWA 12

Item number: 6424620



Light-duty wall and support bracket.
Including truss-head bolt M10 x 25 for fastening to
U supports.
Including truss-head screw M10 x 25 for fastening to
U supports.



St Steel

PE50 PES50 - Polyester/epoxy

Master data

| | |
|---------------------|----------------------------|
| Item number | 6424620 |
| Type | MWA 12 21SFSK RW |
| Description 1 | Wall and support bracket |
| Description 2 | with fastening bolt M10x25 |
| Manufacturer | OBO |
| Dimension | B200mm |
| Colour | Pure white; RAL 9010 |
| Material | Steel |
| Surface | PES50 - Polyester/epoxy |
| Surface standard | |
| Smallest sales unit | 30 |
| Unit of quantity | Piece |
| Weight | 27.4 kg |
| Weight unit | kg/100 pc. |

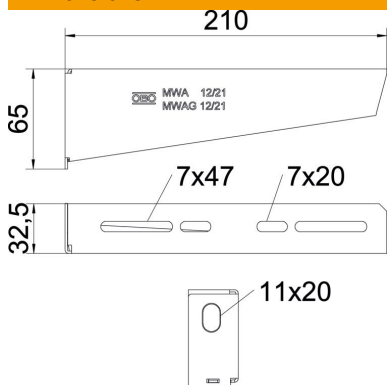
Technical data sheet

Wall and support bracket MWA 12



Item number: 6424620

Dimensions

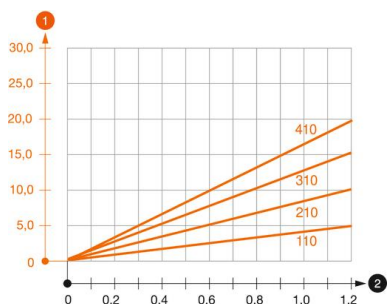


| | |
|-------------|---------|
| Length | 32.5 mm |
| Width | 210 mm |
| Height | 65 mm |
| Dimension A | 32.5 mm |
| Dimension B | 210 mm |
| Dimension H | 65 mm |
| Dimension L | 210 mm |

Technical data

| | |
|-------------------------------|--------------------------|
| Version for | Wall and support bracket |
| F in kN | 1.2 kN |
| Maintain electrical functions | no |
| Hole diameter | 11 mm |
| Rustproof steel, pickled | no |
| Angle range, max. | 90 mm |
| Angle range, min. | 90 mm |

Loads



Load diagram, bracket, type MWA 12

- 1 Bending of the bracket tip at permitted bracket load
- 2 Permitted bracket load in kN without man load
- Load curve with bracket lengths in mm

Characteristic anchor load values for wall and support bracket MWA 12

| Anchor type | Wall fastening | | | |
|------------------|--------------------|------|-----|------|
| | Max. load [kN] | | | |
| | Bracket width [mm] | | | |
| | 110 | 210 | 310 | 410 |
| BZ-U 8-10-21/75 | 1.2 | 0.95 | 0.7 | 0.65 |
| BZ-U 10-10-30/90 | 1.2 | 1.2 | 1.2 | 1.2 |

Max. total load F = cable weight + cable tray + bracket. The load capacity values increase considerably when used in uncracked concrete. The values given are based on concrete of strength class C20/25. Observe the installation conditions of the DIBt approval (anchors).

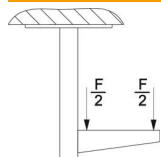
Technical data sheet

Wall and support bracket MWA 12

Item number: 6424620



Load values for MWA 12 on suspended support



| Support | Max. total load F in kN | | | |
|------------------|-------------------------|-----|-----|-----|
| | Bracket length in mm | | | |
| | 100 | 200 | 300 | 400 |
| US 3 K/ 20 - 60 | 1.2 | 1.2 | 1.2 | 1.2 |
| US 3 K/ 70 - 120 | 1.2 | 1.2 | 1.2 | 1.2 |
| US 5 K/ 20 - 60 | 1.2 | 1.2 | 1.2 | 1.2 |
| US 5 K/ 70 - 120 | 1.2 | 1.2 | 1.2 | 1.2 |