

Technical data sheet

Wall and support bracket MWA 12 A4

Item number: 6424442



Light-duty wall and support bracket.
Including truss-head bolt M10 x 25 for fastening to
U supports.
Including truss-head screw M10 x 25 for fastening to
U supports.



A4 Stainless steel

2B Bright, treated

Master data

Item number	6424442
Type	MWA 12 21S A4
Description 1	Wall and support bracket
Description 2	with fastening bolt M10x20
Manufacturer	OBO
Dimension	B210mm
Material	Stainless steel
Surface	Bright, treated
Surface standard	
Smallest sales unit	1
Unit of quantity	Piece
Weight	26.9 kg
Weight unit	kg/100 pc.

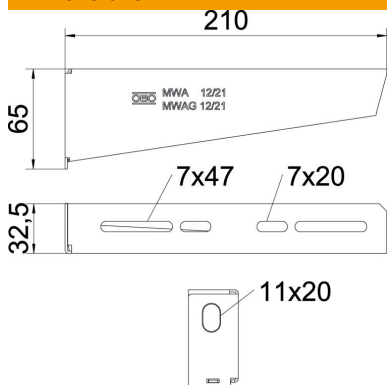
Technical data sheet

Wall and support bracket MWA 12 A4



Item number: 6424442

Dimensions



Length	32.5 mm
Width	210 mm
Width	8 in
Height	65 mm
Height	2.56 in
Dimension A	32.5 mm
Dimension B	210 mm
Dimension H	65 mm
Dimension L	210 mm

Technical data

Version for	Wall and support bracket
F in kN	1.2 kN
Maintain electrical functions	yes
Hole diameter	11 mm
Rustproof steel, pickled	no
Angle range, max.	90 mm
Angle range, min.	90 mm

Characteristic anchor load values for wall and support bracket MWA 12

Anchor type	Max. load [kN]			
	Bracket width [mm]			
BZ3 10x90/0-30	110	210	310	410
	1.2	1.2	1.2	1.2

Die angegebenen Werte basieren auf ungerissenen Beton der Festigkeitsklasse C20/25. Die Einbaubedingungen der ETA-Zulassung (Dübel) sind zu beachten!

Load values for MWA 12 on suspended support

Support	Max. total load F in kN			
	Bracket length in mm			
US 3 K/ 20 - 60	100	200	300	400
US 3 K/ 70 - 120	1.2	1.2	1.2	1.2
US 5 K/ 20 - 60	1.2	1.2	1.2	1.2
US 5 K/ 70 - 120	1.2	1.2	1.2	1.2