

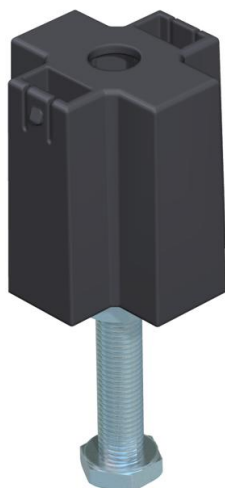
# Technical data sheet

Height adjustment unit for lid butt support, trunking height  
60-110 mm

Item number: 7424842



For central support of a lid butt support of nominal width 400, 500 or 600.



**St** Steel

**FS** Strip galvanized

## Master data

Item number	7424842
Type	NE DSU2 6050
Description 1	DSU height-adjustment unit
Description 2	for OKA-G
Manufacturer	OBO
Material	Steel
Surface	Strip galvanized
Surface standard	DIN EN 10346
Smallest sales unit	3
Unit of quantity	Piece
Weight	4.84 kg
Weight unit	kg/100 pc.

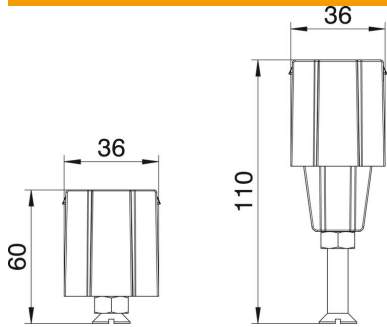
# Technical data sheet

Height adjustment unit for lid butt support, trunking height  
60-110 mm

Item number: 7424842



## Dimensions



Width 35 mm

## Technical data

Type of accessory	Miscellaneous
Decouplable	no
Suitable for screed-flush closed underfloor ducts	no
Device support to accept mounting boxes	no
Trunking height, max.	110 mm
Duct height, min.	60 mm
Minimum screed height	40
Height-adjustment range, max.	110 mm
Height-adjustment range, min.	60 mm
Accessories	yes
Spare part	no