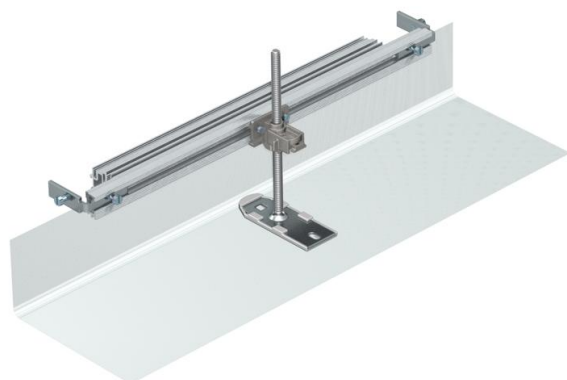


Technical data sheet

Trunking end piece, height 40–150 mm

Item number: 7424280



Ready-to-mount trunking end piece, consisting of a flexible apron with side and floor covering guide profiles. The scope of delivery contains trunking connection brackets and a height-adjustable fixing bracket.



St Steel

FS Strip galvanized

Master data

| | |
|---------------------|---------------------|
| Item number | 7424280 |
| Type | OKA-G20040150ES |
| Description 1 | End cover |
| Description 2 | for OKA-G and OKA-W |
| Manufacturer | OBO |
| Material | Steel |
| Surface | Strip galvanized |
| Surface standard | DIN EN 10346 |
| Smallest sales unit | 1 |
| Unit of quantity | Piece |
| Weight | 33 kg |
| Weight unit | kg/100 pc. |

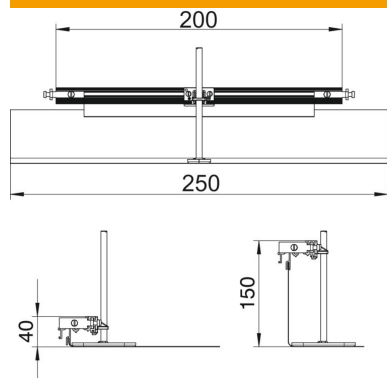
Technical data sheet

Trunking end piece, height 40–150 mm

Item number: 7424280



Dimensions



| | |
|-------------|--------|
| Length | 260 mm |
| Width | 200 mm |
| Dimension h | 40 mm |

Technical data

| | |
|---|--------|
| Suitable for screed-flush closed underfloor ducts | no |
| Suitable for flushfloor, open underfloor trunking | no |
| Suitable for screed-covered underfloor ducts | no |
| Trunking height, max. | 150 mm |
| Duct height, min. | 40 mm |
| Height-adjustment range, max. | 110 mm |
| Height-adjustment range, min. | 0 mm |