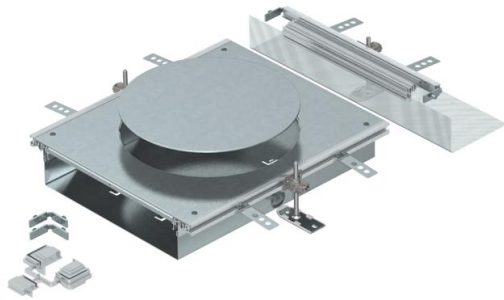


Technical data sheet

Extension unit for GESR9, height 100–150 mm

Item number: 7424926



Ready-to-mount trunking extension unit with a device installation lid for the installation of a flush-mount unit of nominal size R9, consisting of the trunking base (floor trough with side and floor covering contact profiles), trunking lid with blank mounting opening and a flushfloor end cover. The scope of delivery contains 3 height-adjustable fixing brackets, 3 screed anchors, 1 lid butt support and 1 construction set for 90° angle. Size of the mounting unit suitable for the installation of a round installation unit of nominal size R9 or R9/55.



St Steel

FS Strip galvanized

Master data

| | |
|---------------------|------------------|
| Item number | 7424926 |
| Type | OKA-W A 10050R9 |
| Description 1 | Extension unit |
| Description 2 | for OKA-W |
| Manufacturer | OBO |
| Material | Steel |
| Surface | Strip galvanized |
| Surface standard | DIN EN 10346 |
| Smallest sales unit | 1 |
| Unit of quantity | Piece |
| Weight | 911 kg |
| Weight unit | kg/100 pc. |

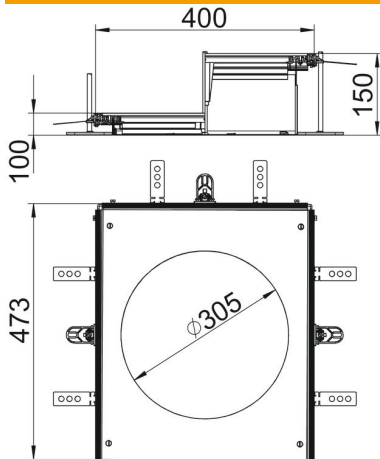
Technical data sheet

Extension unit for GESR9, height 100–150 mm

Item number: 7424926



Dimensions



| | |
|---------------|--------|
| Length | 473 mm |
| Width | 400 mm |
| Dimension A | 400 mm |
| Dimension d Ø | 305 mm |
| Dimension h | 100 mm |

Technical data

| | |
|---|--------------------|
| Mounting opening cover | yes |
| Covers | 1 |
| Number of mounting openings | 1 |
| Cover fastening, locking | no |
| Seal installation option | yes |
| Installation opening for on-floor tank | no |
| Installation opening for flush-mount unit | Round |
| Decouplable | no |
| Suitable for expansion joint | no |
| Suitable for screed-flush closed underfloor ducts | no |
| Suitable for flushfloor, open underfloor trunking | yes |
| Suitable for screed-covered underfloor ducts | no |
| Trunking height, max. | 150 mm |
| Duct height, min. | 100 mm |
| Cover material thickness | 4 |
| Minimum screed height | 100 |
| With connection opening | yes |
| With equipotential bonding | no |
| With separating retainer | no |
| With overhang | yes |
| Mounting opening | For service outlet |
| Nominal size for device installation units | R9 |
| Height-adjustment range, max. | 150 mm |
| Height-adjustment range, min. | 100 mm |
| Removable cover | yes |