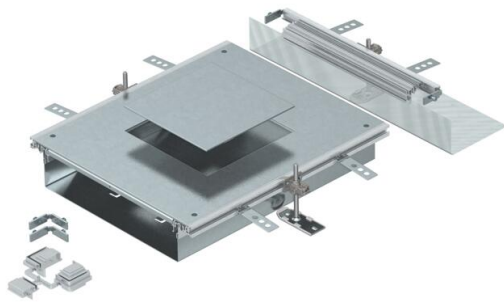


# Technical data sheet

Extension unit for GES4, height 60–110 mm

Item number: 7424900



Ready-to-mount trunking extension unit with a device installation lid for the installation of an installation unit of nominal size 4, consisting of the trunking base (floor trough with side and floor covering guide profiles), trunking lid with blank mounting opening and a flushfloor end cover. The scope of delivery contains three height-adjustable wall fixing brackets, three screed anchors and trunking connection brackets.

Size of the mounting unit suitable for the installation of a square installation unit of nominal size 4.



**St** Steel

**FS** Strip galvanized

## Master data

|                     |                  |
|---------------------|------------------|
| Item number         | 7424900          |
| Type                | OKA-W A 6050 4   |
| Description 1       | Extension unit   |
| Description 2       | for OKA-W        |
| Manufacturer        | OBO              |
| Material            | Steel            |
| Surface             | Strip galvanized |
| Surface standard    | DIN EN 10346     |
| Smallest sales unit | 1                |
| Unit of quantity    | Piece            |
| Weight              | 947 kg           |
| Weight unit         | kg/100 pc.       |

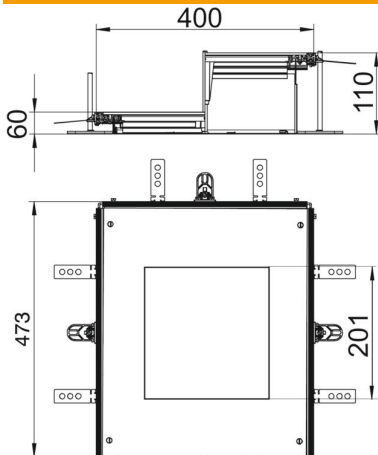
# Technical data sheet

Extension unit for GES4, height 60–110 mm

Item number: 7424900



## Dimensions



|             |        |
|-------------|--------|
| Length      | 473 mm |
| Width       | 400 mm |
| Dimension a | 201 mm |
| Dimension A | 400 mm |
| Dimension h | 60 mm  |

## Technical data

|   |                    |
|---|--------------------|
| Mounting opening cover                            | yes                |
| Covers  | 1                  |
| Number of mounting openings                       | 1                  |
| Floor plate                                       | no                 |
| Cover fastening, locking                          | no                 |
| Seal installation option                          | yes                |
| Installation opening for on-floor tank            | no                 |
| Installation opening for flush-mount unit         | Square             |
| Decouplable                                       | no                 |
| Suitable for expansion joint                      | no                 |
| Suitable for screed-flush closed underfloor ducts | no                 |
| Suitable for flushfloor, open underfloor trunking | yes                |
| Suitable for screed-covered underfloor ducts      | no                 |
| Trunking height, max.                             | 110 mm             |
| Duct height, min.                                 | 60 mm              |
| Cover material thickness                          | 4                  |
| Minimum screed height                             | 60                 |
| With connection opening                           | yes                |
| With equipotential bonding                        | no                 |
| With separating retainer                          | no                 |
| With overhang                                     | yes                |
| Mounting opening                                  | For service outlet |
| Nominal size for device installation units        | 4                  |
| Height-adjustment range, max.                     | 110 mm             |
| Height-adjustment range, min.                     | 60 mm              |
| Removable cover                                   | yes                |