

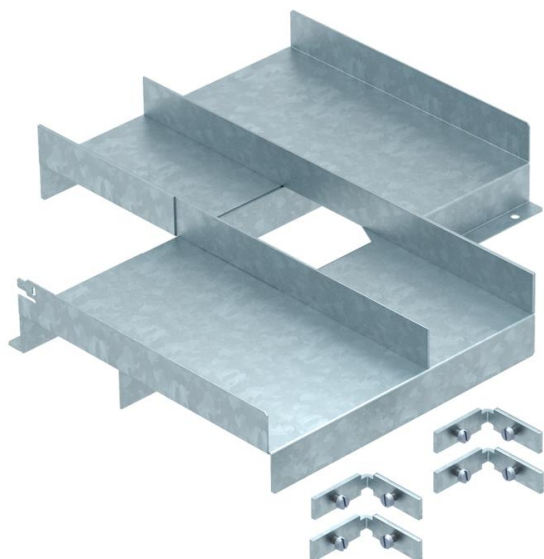
# Technical data sheet

OKA-T separating element, intersection for trunking width  
300 mm on 300 mm

Item number: 7404340



Separating element for a three-compartment cross branch of OKA-T flushfloor trunking systems of width 300 mm.



CE

- St** Steel
- FS** Strip galvanized

## Master data

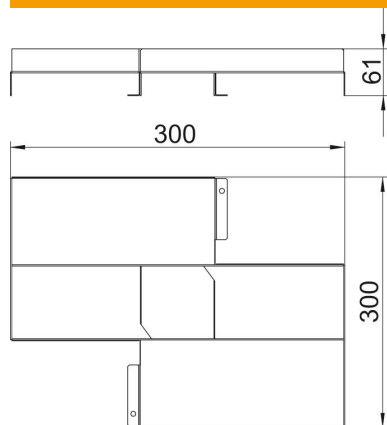
|                     |                             |
|---------------------|-----------------------------|
| Item number         | 7404340                     |
| Type                | OKA CC3 30030065            |
| Description 1       | Separating element          |
| Description 2       | for intersection NB300/NB30 |
| Manufacturer        | OBO                         |
| Material            | Steel                       |
| Surface             | Strip galvanized            |
| Surface standard    | DIN EN 10346                |
| Smallest sales unit | 1                           |
| Unit of quantity    | Piece                       |
| Weight              | 112.5 kg                    |
| Weight unit         | kg/100 pc.                  |

# Technical data sheet

OKA-T separating element, intersection for trunking width  
300 mm on 300 mm  
Item number: 7404340



## Dimensions



|             |        |
|-------------|--------|
| Width       | 300 mm |
| Dimension A | 300 mm |
| Dimension B | 300 mm |

## Technical data

|                   |       |
|-------------------|-------|
| Duct height, min. | 65 mm |
|-------------------|-------|