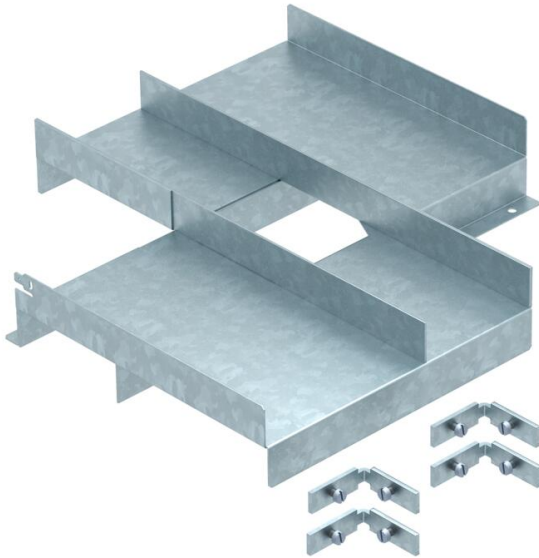


Technical data sheet

OKA-T separating element, intersection for trunking width
400 mm with 300 mm
Item number: 7402334



Separating element for a three-compartment cross branch of flushfloor OKA-T trunking systems of width 300 mm.



CE

- St** Steel
- FS** Strip galvanized

Master data

Item number	7402334
Type	OKA CC3 40030065
Description 1	Divider element
Description 2	For OKA T
Manufacturer	OBO
Material	Steel
Surface	Strip galvanized
Surface standard	DIN EN 10346
Smallest sales unit	1
Unit of quantity	Piece
Weight	153 kg
Weight unit	kg/100 pc.

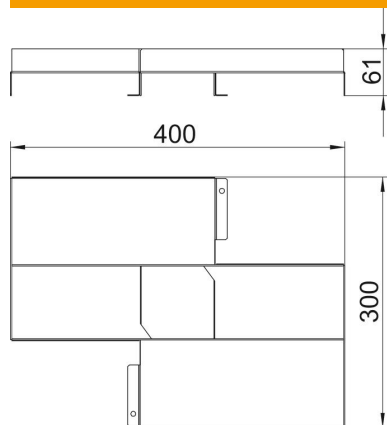
Technical data sheet

OKA-T separating element, intersection for trunking width
400 mm with 300 mm

Item number: 7402334



Dimensions



Dimension A	300 mm
Dimension B	400 mm

Technical data

Duct height, min.	65 mm
-------------------	-------