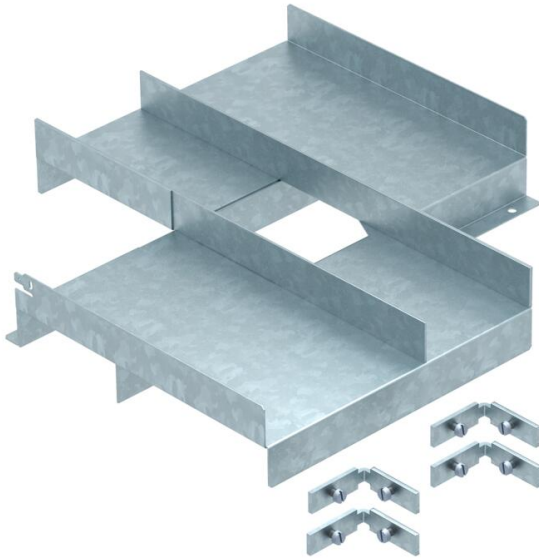


Technical data sheet

OKA-T separating element, intersection for trunking width
400 mm with 400 mm
Item number: 7402350



Separating element for three-compartment cross branch of OKA-T flushfloor trunking systems of width 400 mm.



CE

- St** Steel
- FS** Strip galvanized

Master data

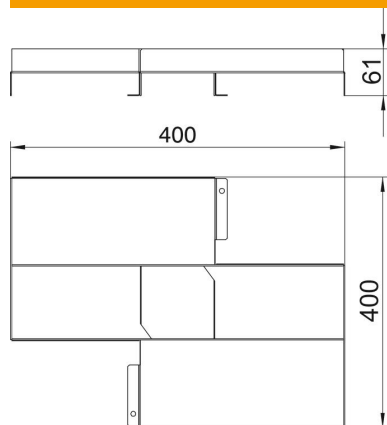
Item number	7402350
Type	OKA CC3 40040065
Description 1	Divider element
Description 2	For OKA T
Manufacturer	OBO
Material	Steel
Surface	Strip galvanized
Surface standard	DIN EN 10346
Smallest sales unit	1
Unit of quantity	Piece
Weight	195 kg
Weight unit	kg/100 pc.

Technical data sheet

OKA-T separating element, intersection for trunking width
400 mm with 400 mm
Item number: 7402350



Dimensions



Dimension A	400 mm
Dimension B	400 mm

Technical data

Duct height, min.	65 mm
-------------------	-------