

# Technical data sheet

Internal corner, duct height 120 mm, pure white

Item number: 7218060



Internal corner with intumescent fire protection mesh for PYROLINE® Rapid PLM installation duct. Suitable for direct wall and ceiling mounting, mounting below system floors and on support systems. Tool-free joint mounting with PLM SI joint connector. The cover is snapped on without tools, allowing rapid inspection and retroassignment. The cover overhang allows offset cover mounting for continuous equipotential bonding of the entire duct section.



**St** Steel

**P** Powder-coated

## Master data

Item number	7218060
Type	PLM IC 1220 RW
Description 1	Internal corner
Description 2	with fire protection mesh
Manufacturer	OBO
Dimension	330x200x330
Colour	Pure white; RAL 9010
Material	Steel
Surface	Powder-coated
Surface standard	
Smallest sales unit	1
Unit of quantity	Piece
Weight	246 kg
Weight unit	kg/100 pc.

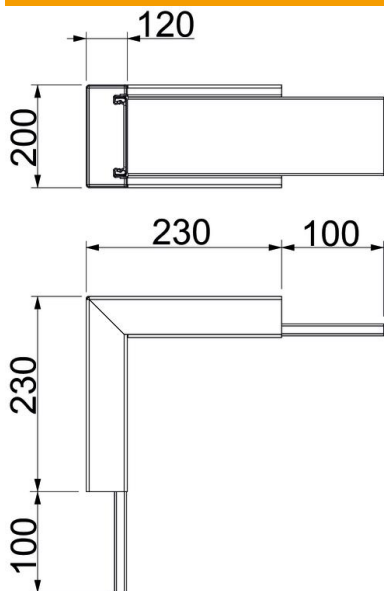
# Technical data sheet

Internal corner, duct height 120 mm, pure white

Item number: 7218060



## Dimensions



Dimension A	230 mm
Dimension B	200 mm
Dimension H	120 mm

## Technical data

Number of flammable sides	4
Cover fastening	Miscellaneous
With perforation	yes
Usable cross-section	18500 mm <sup>2</sup>
Partitions possible	no
Jacketing	Steel
Angle of the bend	90 °