

Technical data sheet

90° vertical bend, falling 60 FS

Item number: 7007071



90° vertical bend, falling, for all cable tray types of 60 mm side height.
The vertical bend is pushed over the end of the cable tray and screwed tight.
Fastening materials should be ordered separately.



St Steel

FS Strip galvanized

Master data

| | |
|---------------------|-------------------|
| Item number | 7007071 |
| Type | RBV 640 F FS |
| Description 1 | 90° vertical bend |
| Description 2 | falling |
| Manufacturer | OBO |
| Dimension | 60x400 |
| Material | Steel |
| Surface | Strip galvanized |
| Surface standard | DIN EN 10346 |
| Smallest sales unit | 1 |
| Unit of quantity | Piece |
| Weight | 130 kg |
| Weight unit | kg/100 pc. |

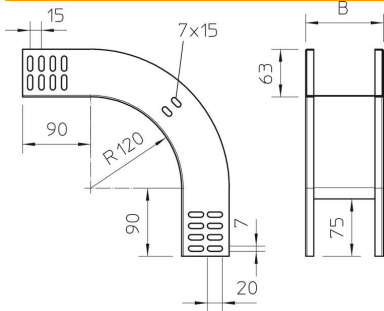
Technical data sheet

90° vertical bend, falling 60 FS

Item number: 7007071



Dimensions



| | |
|-----------------|--------|
| Width | 400 mm |
| Width | 16 in |
| Height | 60 mm |
| Height | 2 in |
| Plate thickness | 1 mm |
| Dimension B | 400 mm |

Technical data

| | |
|---|--------------------|
| Bend (angle) | 90° |
| Connector version | Without connectors |
| Maintain electrical functions | no |
| Mounting perforation in base | no |
| NATO hole pattern | no |
| Change of direction | Vertical, falling |
| Rustproof steel, pickled | no |
| Side perforation | no |
| Wide-span version | no |
| Type of connector, cable support system | Screwed |