

Technical data sheet

90° bend 35 FS

Item number: 7124400



90° bend for horizontal routing of cable trays, type RKS 305.



St Steel

FS Strip galvanized

Master data

Item number	7124400
Type	RB 90 305 FS
Description 1	90° bend
Description 2	horizontal
Manufacturer	OBO
Dimension	35x50
Material	Steel
Surface	Strip galvanized
Surface standard	DIN EN 10346
Smallest sales unit	1
Unit of quantity	Piece
Weight	31.1 kg
Weight unit	kg/100 pc.

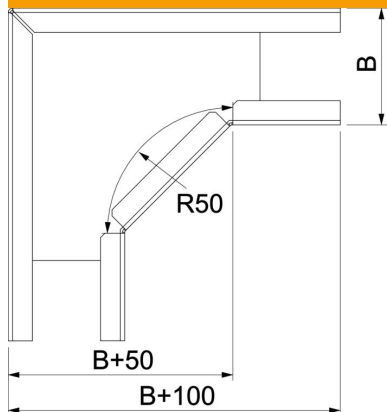
Technical data sheet

90° bend 35 FS

Item number: 7124400



Dimensions



Width	50 mm
Height	35 mm
Height	1 in
Dimension B	50 mm
Dimension R	50 mm

Technical data

Bend (angle)	90°
Connector version	Supplied connectors
Type	Bend, rigid
Maintain electrical functions	no
Mounting perforation in base	no
NATO hole pattern	no
Change of direction	Horizontal
Rustproof steel, pickled	no
Side perforation	no
Wide-span version	no
Type of connector, cable support system	Screwed