

Technical data sheet

90° bend 35 FT

Item number: 7124410



90° bend for horizontal routing of cable trays, type RKS 305.



St Steel

FT Hot-dip galvanised

Master data

Item number	7124410
Type	RB 90 305 FT
Description 1	90° bend
Description 2	horizontal
Manufacturer	OBO
Dimension	35x50
Material	Steel
Surface	Hot-dip galvanised
Surface standard	DIN EN ISO 1461
Smallest sales unit	1
Unit of quantity	Piece
Weight	32.9 kg
Weight unit	kg/100 pc.

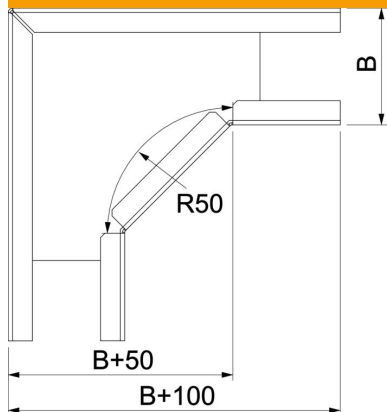
Technical data sheet

90° bend 35 FT

Item number: 7124410



Dimensions



Width	50 mm
Height	35 mm
Height	1 in
Dimension B	50 mm

Technical data

Bend (angle)	90°
Connector version	Supplied connectors
Type	Bend, rigid
Maintain electrical functions	no
Mounting perforation in base	no
NATO hole pattern	no
Change of direction	Horizontal
Rustproof steel, pickled	no
Side perforation	no
Wide-span version	no
Type of connector, cable support system	Screwed