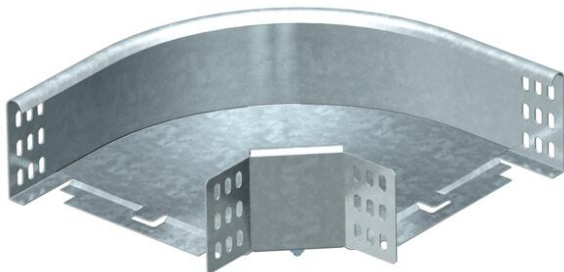


# Technical data sheet

90° bend 85 FT

Item number: 7126301



90° bend, horizontal, for all cable tray types of 85 mm side height.  
The fitting is shipped in an unmounted state.  
Including appropriate fastening material.

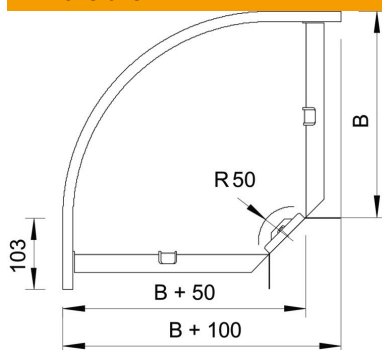


- St** Steel
- FT** Hot-dip galvanised

## Master data

|                     |                              |
|---------------------|------------------------------|
| Item number         | 7126301                      |
| Type                | RB 90 830 FT                 |
| Description 1       | 90° bend                     |
| Description 2       | horizontal + angle connector |
| Manufacturer        | OBO                          |
| Dimension           | 85x300                       |
| Material            | Steel                        |
| Surface             | Hot-dip galvanised           |
| Surface standard    | DIN EN ISO 1461              |
| Smallest sales unit | 1                            |
| Unit of quantity    | Piece                        |
| Weight              | 200 kg                       |
| Weight unit         | kg/100 pc.                   |

## Dimensions



|             |        |
|-------------|--------|
| Width       | 300 mm |
| Width       | 12 in  |
| Height      | 85 mm  |
| Height      | 3 in   |
| Dimension B | 300 mm |
| Dimension R | 50 mm  |

# Technical data sheet

90° bend 85 FT

Item number: 7126301



## Technical data

|   |                     |
|---|---------------------|
| Bend (angle)                            | 90°                 |
| Connector version                       | Supplied connectors |
| Maintain electrical functions           | no                  |
| Mounting perforation in base            | no                  |
| NATO hole pattern                       | no                  |
| Change of direction                     | Horizontal          |
| Rustproof steel, pickled                | no                  |
| Side perforation                        | no                  |
| Wide-span version                       | no                  |
| Type of connector, cable support system | Screwed             |