

Technical data sheet

Adjustable bend element, vertical 60 A4

Item number: 7075677



Adjustable vertical bend element, for all cable tray types with a side height of 60 mm.
RGV 60 adjustable connectors should be ordered separately and in the appropriate quantity.
Please order RGV 60 and SKS 8x16 hexagonal bolts separately.



A4 Stainless steel

2B Bright, treated

Master data

| | |
|---------------------|-------------------------|
| Item number | 7075677 |
| Type | RGBEV 640 A4 |
| Description 1 | Adjustable bend element |
| Description 2 | vertical |
| Manufacturer | OBO |
| Dimension | 60x400 |
| Material | Stainless steel |
| Surface | Bright, treated |
| Surface standard | |
| Smallest sales unit | 1 |
| Unit of quantity | Piece |
| Weight | 117 kg |
| Weight unit | kg/100 pc. |

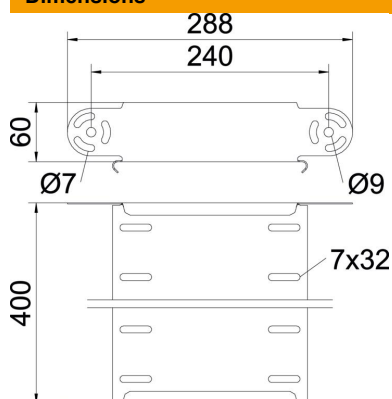
Technical data sheet

Adjustable bend element, vertical 60 A4

Item number: 7075677



Dimensions



| | |
|-----------------|--------|
| Width | 400 mm |
| Height | 60 mm |
| Plate thickness | 1 mm |
| Dimension B | 400 mm |

Technical data

| | |
|---|--------------------------|
| Bend (angle) | Adjustable |
| Connector version | Without connectors |
| Type | Adjustable bend element |
| Maintain electrical functions | no |
| Mounting perforation in base | no |
| NATO hole pattern | no |
| Change of direction | Vertical, rising/falling |
| Rustproof steel, pickled | no |
| Side perforation | no |
| Permitted temperature range, max. | 120 °C |
| Permitted temperature range, min. | -20 °C |
| Wide-span version | no |
| Type of connector, cable support system | Screwed |