

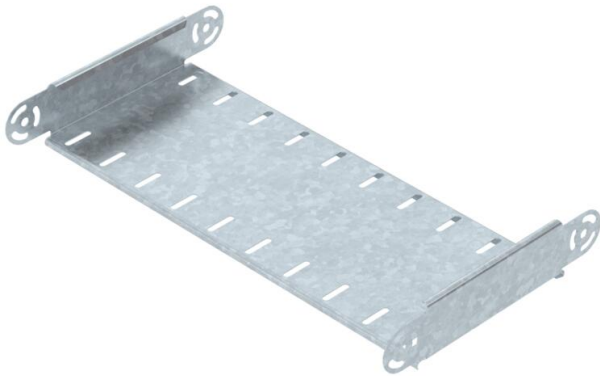
Technical data sheet

Adjustable bend element, vertical 60 FT

Item number: 7075502



Adjustable vertical bend element, for all cable tray types with a side height of 60 mm.
RGV 60 adjustable connectors should be ordered separately and in the appropriate quantity.
RGV 60 and SKS 8x16 hexagonal bolts should be ordered separately.



CE

| | |
|----|--------------------|
| St | Steel |
| FT | Hot-dip galvanised |

Master data

| | |
|---------------------|-------------------------|
| Item number | 7075502 |
| Type | RGBEV 650 FT |
| Description 1 | Adjustable bend element |
| Description 2 | vertical |
| Manufacturer | OBO |
| Dimension | 60x500 |
| Material | Steel |
| Surface | Hot-dip galvanised |
| Surface standard | DIN EN ISO 1461 |
| Smallest sales unit | 1 |
| Unit of quantity | Piece |
| Weight | 144 kg |
| Weight unit | kg/100 pc. |

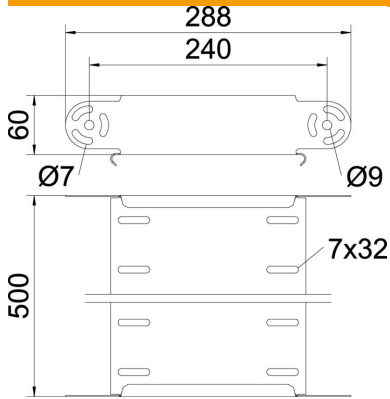
Technical data sheet

Adjustable bend element, vertical 60 FT

Item number: 7075502



Dimensions



| | |
|-----------------|--------|
| Width | 500 mm |
| Width | 20 in |
| Height | 60 mm |
| Height | 2 in |
| Plate thickness | 1 mm |
| Dimension B | 500 mm |

Technical data

| | |
|-----------------------------------------|--------------------------|
| Bend (angle) | Adjustable |
| Connector version | Without connectors |
| Type | Adjustable bend element |
| Maintain electrical functions | no |
| Mounting perforation in base | no |
| NATO hole pattern | no |
| Change of direction | Vertical, rising/falling |
| Rustproof steel, pickled | no |
| Side perforation | no |
| Wide-span version | no |
| Type of connector, cable support system | Screwed |